

Fabric Shaver

User's manual

EN



SENCOR[®]

SLR 33

Before first use, please read all instructions contained in this user's manual carefully, even if you are already familiar with using similar products. Only use this product in accordance with the instructions described in the user manual. Keep the user's manual in a safe place where it can be easily retrieved for future use.

Save the original packaging, including the internal packing material, warranty card and proof of purchase receipt, at least for the duration of the warranty. If you need to ship this product, pack it in the original cardboard box to ensure maximum protection during shipping or transport (e.g. when moving or when you need to send this product for repair).

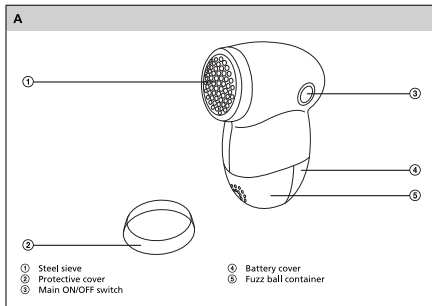
CONTENTS

IMPORTANT SAFETY NOTICE.....	3
PRODUCT DESCRIPTION.....	4
INSTRUCTIONS FOR USE.....	4
CLEANING AND MAINTENANCE.....	5
DISPOSAL OF USED BATTERIES.....	7
TECHNICAL DETAILS.....	7
DISPOSAL OF USED ELECTRICAL AND ELECTRONIC EQUIPMENT.....	8
INSTRUCTIONS AND INFORMATION REGARDING THE DISPOSAL OF USED PACKAGING MATERIALS ..	8

IMPORTANT SAFETY NOTICE

- 1) Carefully unpack the product and take care not to throw away any part of the packaging before you find all the parts of the product.
- 2) This product must not be used by persons (including children) with physical or mental impairments or by inexperienced persons, unless properly trained or schooled in the safe use of the product, or unless they have been properly supervised by a qualified person who will be responsible for their safety.
- 3) Never use accessories that have not been delivered with this product or are not intended for it.
- 4) Under no circumstances should you repair or alter the product yourself. Entrust all repairs and adjustments to a specialised company/service. Tampering with the product during the warranty period may void the warranty.
- 5) Never use the product if you have wet hands or feet.
- 6) Only store and use the product away from flammable or volatile materials and solutions.
- 7) Keep the product away from extreme temperatures, direct sunlight and excessive humidity and do not use in a dusty environment.
- 8) Do not place the product near heaters, open fires or other appliances or equipment that are sources of heat.
- 9) This product is designed for household use. Do not use it in industrial surroundings or outdoors!
- 10) Do not use the product for purposes other than those intended.
- 11) Do not spray the product with water or any other liquid. Do not pour water or any other liquids into the product. Do not submerge the product in water or any other liquid.
- 12) Never use the product near a bathtub, wash basin or any other container filled with water.
- 13) If you are not using the product, or if you know that you will not be using it soon, turn it off. Prior to cleaning, proceed in the same manner.
- 14) Never leave the product switched on without supervision.
- 15) Never use the product as a beard trimmer/shaver or as an epilator.
- 16) Use extra care if the product is used near children. Always keep the product out of the reach of children. Children must be supervised to ensure that they do not play with the product.
- 17) If you will not be using the product for an extended period of time, remove the batteries. Otherwise they may leak inside the product and cause irreparable damage.
- 18) Do not use rechargeable batteries in this product.
- 19) The manufacturer takes no responsibility for damages caused by the incorrect use of this product and its accessories (injuries, burns, scalding, fire, food spoilage, etc.).

PRODUCT DESCRIPTION

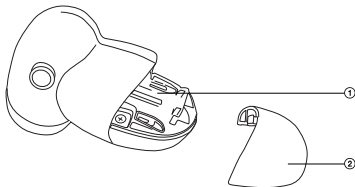


INSTRUCTIONS FOR USE

Battery Installation

- 1) Gently press on the battery cover to release the safety clip and by pulling remove the cover of the fabric shaver.
- 2) Insert 2x AA batteries. Ensure that the correct polarity is adhered to, as per illustration in the battery compartment.
- 3) Slide the battery cover back on to the fabric shaver so that the safety clip of the cover dicks into place.

B



- ① Battery compartment
- ② Battery cover

Now put on the protective cover, turn the main switch ON/OFF to the ON position and put the fabric shaver on to a fabric, i.e. piece of clothing. By moving in circular motion gradually remove the fuzz balls. After you have finished turn off the fabric shaver by moving the main switch ON/OFF to the OFF position.

Empty the fuzz ball container regularly so that it doesn't become overfilled and limit the operation of the fabric shaver.



Note:

- Do not press down on the fabric with excessive force, this could lead to damage of the fabric or the thin steel sieve.
- Do not use the fabric shaver on clothes that you or somebody wearing.

CLEANING AND MAINTENANCE

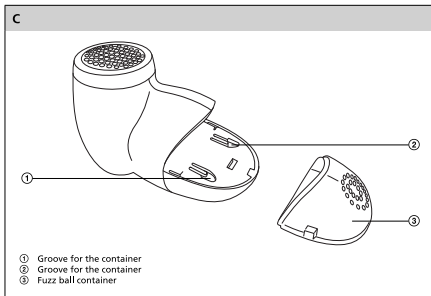


Note:

- Always turn off this product before cleaning.

Emptying the fuzz ball container:

- 1) Pull to remove the container with fuzz balls and empty it into a waste bin.
- 2) Put the emptied container back with the fuzz on the bottom part into the grooves on the body of the fabric shaver and insert into the body of the fabric shaver.

**Cleaning of the head:**

- 1) Unscrew the steel sieve in the anticlockwise direction.
- 2) Turn the fabric shaver with the shaving blades downwards above a waste bin and tap gently to empty the contents.
- 3) Screw on the steel sieve in the clockwise direction back on to the body of the fabric shaver.

**Note:**

- Never touch the knives – danger of injury!

To clean the outer parts of the product, use a soft cloth dipped in lukewarm water. Do not use aggressive cleaning products and solvents as this could damage the surface of the product.

DISPOSAL OF USED BATTERIES

This product comes with one alkaline battery. Do not dispose of old batteries into regular household waste. Dispose of batteries at designated battery disposal points.

TECHNICAL SPECIFICATIONS

Power source	2x 1.5V batteries (size AA)
Dimensions (width x depth x height)	50 x 74 x 104 mm
Weight (without batteries)	92 g

Amendments to text and technical parameters are reserved.

DISPOSAL OF USED ELECTRICAL & ELECTRONIC EQUIPMENT



The meaning of the symbol on the product, its accessory or packaging indicates that this product shall not be treated as household waste. Please, dispose of this equipment at your applicable collection point for the recycling of electrical & electronic equipments waste. In the European Union and Other European countries which there are separate collection systems for used electrical and electronic product. By ensuring the correct disposal of this product, you will help prevent potentially hazardous to the environment and to human health, which could otherwise be caused by unsuitable waste handling of this product. The recycling of materials will help conserve natural resources. Please do not therefore dispose of your old electrical and electronic equipment with your household waste. For more detailed information about recycling of this product, please contact your local city office, your household waste disposal service or the shop where you purchased the product.

INSTRUCTIONS AND INFORMATION REGARDING THE DISPOSAL OF USED PACKAGING MATERIALS

Dispose of used packaging material in a location determined by the municipality for the disposal of wastes.



This product meets all the basic EU regulation requirements that relate to it.