

A9



EN A9 Robot Vacuum Cleaner
FR Aspirateur robot A9



Table of Contents

Important Safety Instructions	4
Explanation of Symbols	5
Intended Use	5
Tips	5
List of Accessories	6
Product Description	6
Robot	6
Dustbin	7
ElectroWall	7
Charging Dock	8
Remote Control	8
Before First Use	9
Operation	10
Charging	10
Basic Operation Modes	12
Cleaning Modes	13
Setting a Cleaning Schedule	15
ElectroWall	16
APP Download and Connection	17
Downloading the App	17
Starting the App	17
Cleaning and Maintenance	20
Cleaning and Maintenance Schedule	20
ILIFE Customer Service	20
Cleaning the Robot	21
Cleaning/Replacing the Side Brushes	21
Cleaning/replacing the Main Brush	22
Cleaning the Dustbin	23
Cleaning the High Performance Filter	24
Troubleshooting	24
FCC - Supplier's Declaration of Conformity	29
Canada IC Notice	30
Specifications	30

**For more detailed information,
visit: www.iliferobot.com**

IMPORTANT SAFETY INSTRUCTIONS

When using electrical appliance, basic precautions should always be followed, including the following:

READ ALL INSTRUCTIONS BEFORE USING THIS APPLIANCE

- **WARNING** - To reduce the risk of fire, electric shock, or injury:
 - a) Do not leave appliance when plugged in. Unplug from outlet when not in use and before servicing.
 - b) Do not use outdoors or on wet surfaces.
 - c) Do not allow to be used as a toy. Close attention is necessary when used by or near children.
 - d) Use only as described in this manual. Use only manufacturer's recommended attachments.
 - e) Do not use with damaged cord or plug. If appliance is not working as it should, has been dropped, damaged, left outdoors, or dropped into water, return it to a service center.
 - f) Do not pull or carry by cord, use cord as a handle, close a door on cord, or pull cord around sharp edges or corners. Do not run appliance over cord. Keep cord away from heated surfaces.
 - g) Do not unplug by pulling on cord. To unplug, grasp the plug, not the cord.
 - h) Do not handle plug or appliance with wet hands.
 - i) Do not put any object into openings. Do not use with any opening blocked; keep free of dust, lint, hair and anything that may reduce air flow.
 - j) Keep hair, loose clothing, fingers, and all parts of body away from openings and moving parts.
 - k) Turn off all controls before unplugging.
 - l) Do not use to pick up flammable or combustible liquids, such as gasoline, or use in areas where they may be present.
- **CAUTION** - To reduce the risk of injury from moving parts, unplug before servicing.
- Do not pick up anything that is burning or smoking, such as cigarettes, matches, or hot ashes.
- Do not use without dustbin and filters in place.
- Always insert batteries correctly with regard to polarity (+ and -) marked on the battery and the product.
- Exhausted batteries should be immediately removed from product and properly disposed.

SAVE THESE INSTRUCTIONS

Explanation of Symbols



This product is for indoor use only.



Alternating current (AC).



Direct current (DC).



This product complies to US efficiency VI standard.

BC

Battery charger energy efficiency marking (California Code of Regulations).

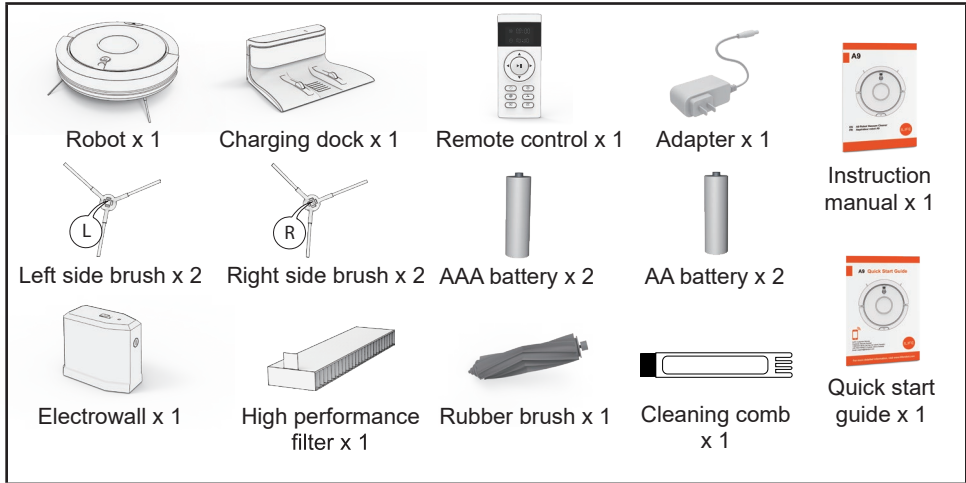
Intended Use

- This product is intended for household use only. It is not intended for commercial use.
- This product is intended to be used in dry indoor areas only.

Tips

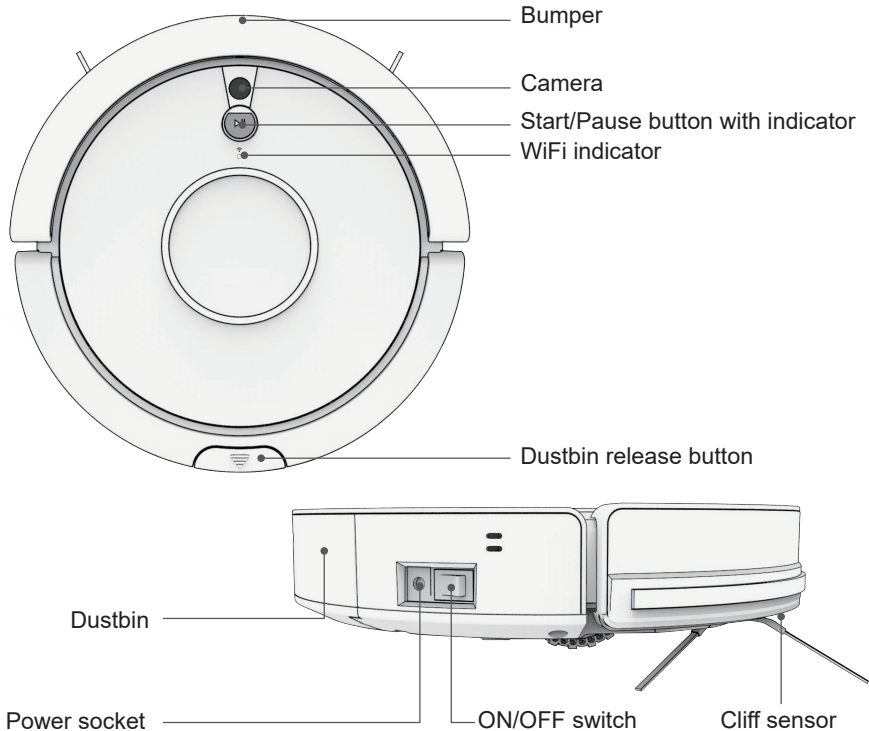
- Stop the robot promptly if error occurs during cleaning. Before using the robot, remove all power cords and small objects on the floor.
- Roll up carpet tassels and make sure curtains and table cloths are not in contact with the floor.
- If there is any raised floors such as steps or stairs, test if the robot can detect the height difference. To avoid falls, set up the electrowall along the raised floors. Make sure the barrier does not cause people any physical harms such as tripping.
- Do not allow hair, clothes or fingers near openings or mechanical parts of the robot.
- Do not vacuum objects such as stones or paper.
- Do not put any objects in the main brush holder. To ensure smooth rotation of the main brush, remove dust, batting and hair winding around it.

List of Accessories

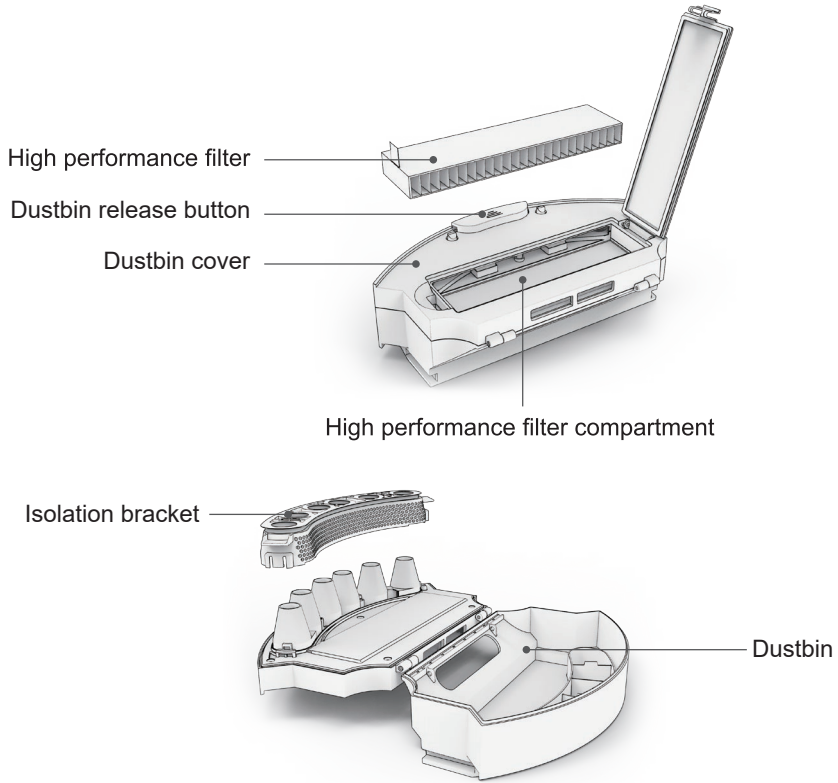


Product Description

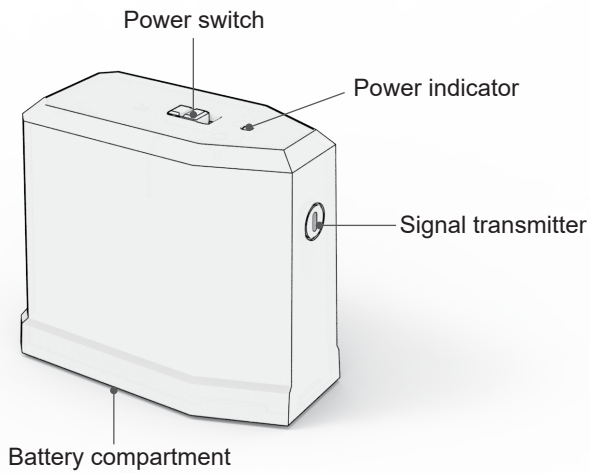
Robot



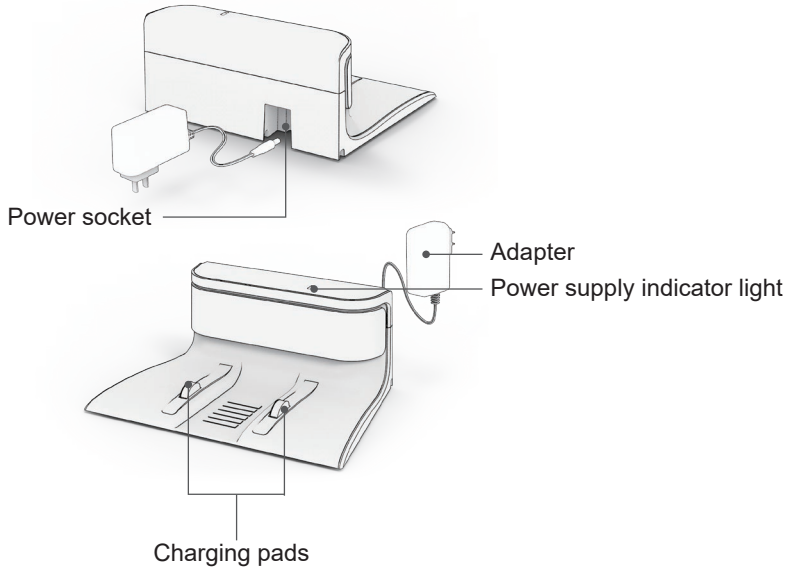
Dustbin



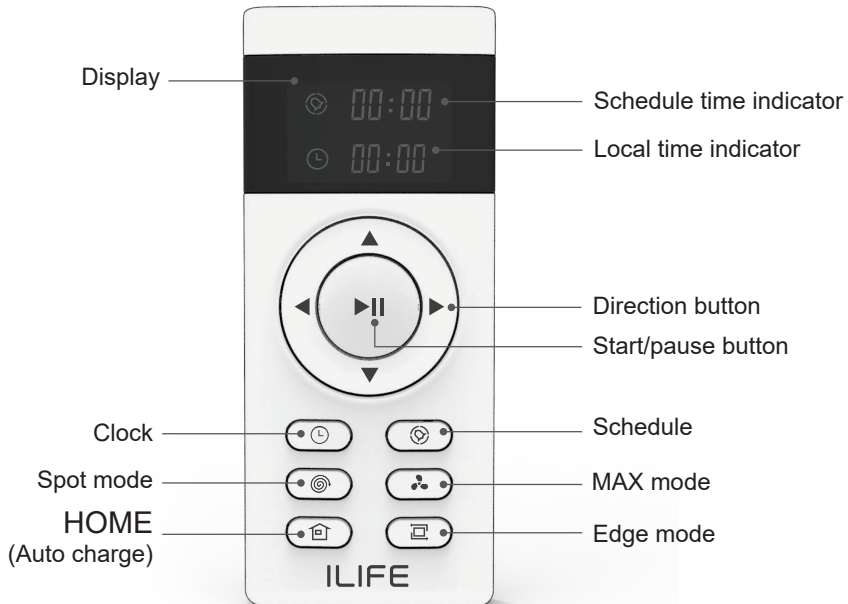
ElectroWall



Charging Dock



Remote Control



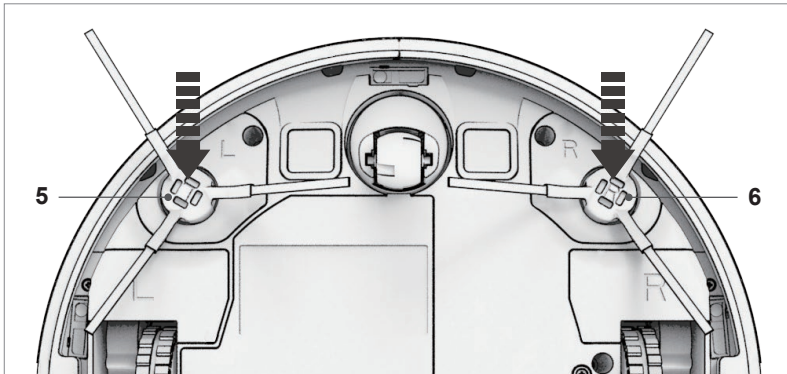
NOTICE - The direction buttons cannot be used during a cleaning cycle.

Before First Use

DANGER - Keep any packaging materials away from children – these materials are a potential source of danger, e.g. suffocation.

- Check the robot and accessories for transport damages.
- Before connecting the robot to the power supply, check that the power supply voltage and current rating corresponds with the power supply details shown on the adapter's rating label.
- Install the AAA batteries in the remote control.
- Install the AA batteries in the electrowall.
- Install the side brushes and the main brush.

NOTICE - Ensure to install the left and the right side brush onto their respective pins (yellow - left, blue - right).



Choosing the Main Brush

The robot has two main brush types to choose from:

Rubber brush (pre-installed)	Use for hard floor e.g. tiles, hardwood.
2 in 1 main brush	Use for soft floor e.g. carpet.

NOTICE - For brush replacement instructions, refer to the “Cleaning and Maintenance” chapter.

Operation

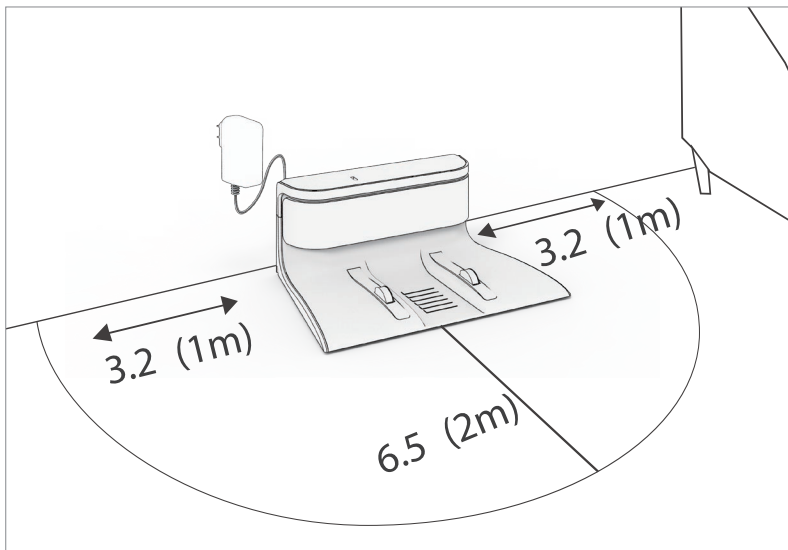
EN

Charging

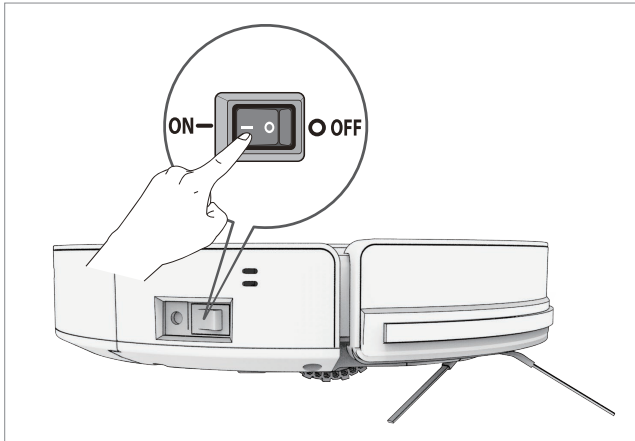
Automatic Charging

In the AUTO mode, the robot comes back to the charging dock automatically when the battery runs low.

- Place the charging dock against the wall. Ensure there are no obstacles or reflective objects around.
- Connect the adapter's plug to the charging dock's socket. Connect the adapter's power plug to the power supply. The power supply indicator lights up green.



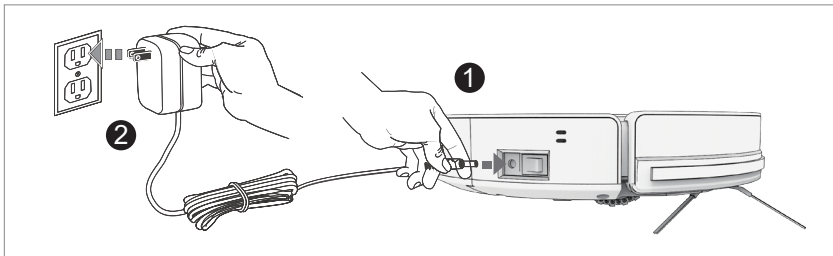
- Set the robot's ON/OFF switch to I position. The start/pause button flashes green. After 25 seconds of start-up, the start/pause button fades in and out.



- Press the HOME button on the remote control to allow the robot to dock itself and start automatic charging.

Manual Charging

- Connect the adapter's plug to the robot's power socket.
- Connect the adapter's power plug to the power supply. The start/pause button flashes green.



- After 25 seconds of start-up, charging starts. The start/pause button flashes orange.

NOTICE - When charging in the manual mode, the robot cannot perform the scheduled automatic cleaning. Charge the robot in the automatic charging mode whenever possible.

Basic Operation Modes

To enter the operation modes, set the ON/OFF switch to **I** position.

Select Mode

Select mode allows you to choose the operating mode of the robot.

- To enter the select mode, press the start/pause button. The start/pause button's indicator fades in and out.

Auto Cleaning Mode

- To start the auto cleaning mode, press the start/pause button. The start/pause button's indicator lights up and the robot starts operation.

Sleep Mode

NOTICE - The sleep mode can be initiated only by the start/pause button on the robot.

NOTICE - The sleep mode can be initiated only when the robot is in the select mode.

- To enter the sleep mode, press and hold the start/pause button on the robot for 3 seconds. The start/pause button goes off.
- To exit the sleep mode, press the start/pause button on the robot. The robot goes back to the select mode. The start/pause button fades in and out.

Mode Indicator

Mode	Start/pause button status
Select Mode	The start/pause button fades in and out.
Auto Cleaning Mode	The start/pause button is constantly on.
Sleep Mode	The start/pause button is off.

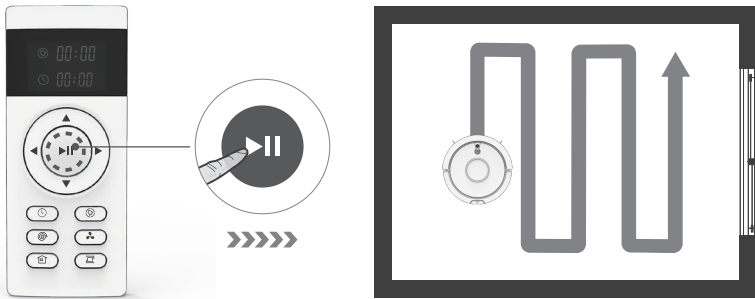
Cleaning Modes

NOTICE - To choose a cleaning mode, the robot must be in Select Mode first (see the “Basic Operation Modes” chapter).

Auto Cleaning Mode

The default cleaning mode. The robot plans a path and cleans along a zigzag pattern. During cleaning, the robot detects and cleans areas that have been missed.

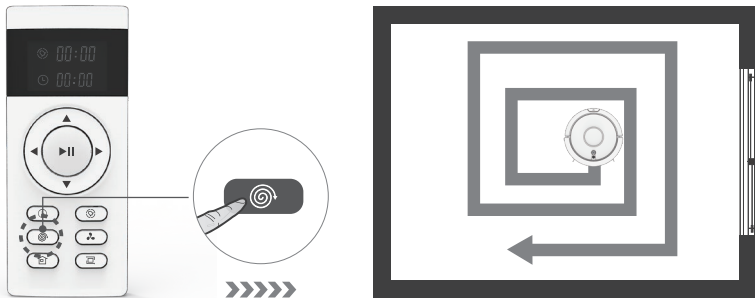
- To start the auto cleaning mode, press the start/pause button.



Spot Mode

Use for small dirty areas. The robot takes a spiral path to clean a specific area with concentrated dust and debris.

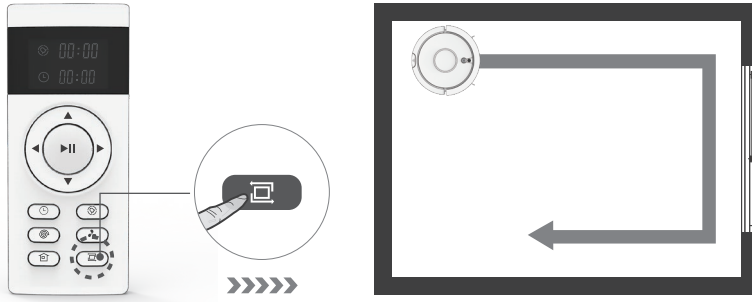
- To start the spot mode, press the spot mode button.



Edge Mode

Use for dirty areas around the walls. The robot moves forward until it detects the wall. It goes around the edges of the walls once, then stops the operation.

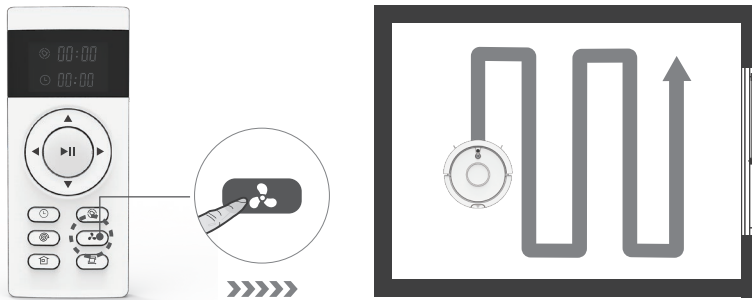
- To start the edge mode, press the edge mode button.



MAX Mode

Use for heavily soiled areas. The robot cleans the whole area with increased suction power.

- To start the MAX mode, press the MAX mode button.



Setting a Cleaning Schedule

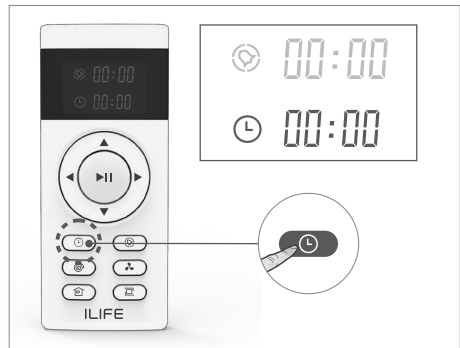
The robot features a schedule mode. It allows to pre-set an automatic cleaning session.

NOTICE - Before setting the schedule/local time, ensure the product is in the select mode (see the “Basic Operation Modes” chapter). Aim the remote control at the product while setting the schedule/local time.

NOTICE - When choosing the settings, ensure the robot beeps when pressing the remote control’s buttons to confirm the setting has been recorded.

Setting the Local Time

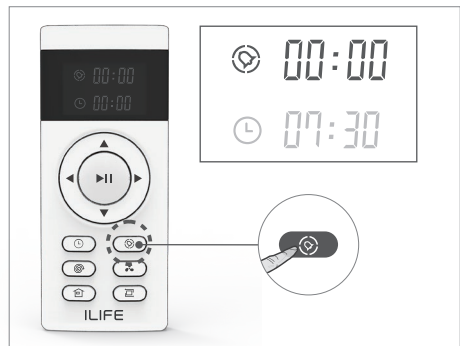
- Press the clock button. The local hour indicator starts flashing.
- Press the up or down button to set the local time hour.
- To go to minutes setting, press the right direction button. The local minutes indicator starts flashing.
- Press the up or down button to set the local time minutes.
- To save the local time settings, press the clock button.



Setting the Scheduled Time

NOTICE - The robot operates in the AUTO mode when switched on by the pre-set schedule.

- Press the schedule button. The schedule hour indicator starts flashing.
- Press the up or down buttons to set the schedule hour.
- To go to minutes setting, press the right direction button. The schedule minutes indicator starts flashing.
- Press the up or down buttons to set the schedule minutes.
- To save the schedule time settings, press the schedule button.



Canceling the Scheduled Time

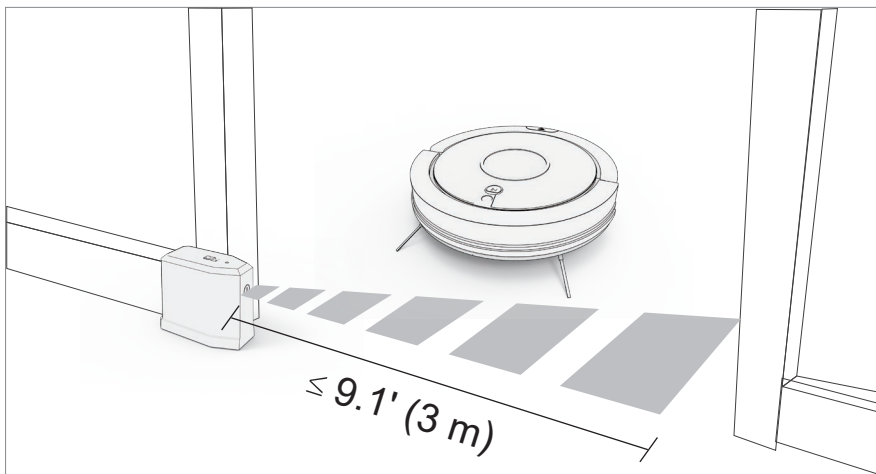
NOTICE - To cancel the scheduled time, you can also switch off the robot.

- Press the schedule button. The schedule hour indicator starts flashing.
- Press the up or down buttons to set the schedule time to "00:00". Press the schedule button.

ElectroWall

The electrowall creates an invisible barrier that the robot cannot cross. Use the electrowall to stop the robot from entering the restricted area.

- Switch the power switch of the electrowall to the ON position. The power indicator lights up green.
- Place the electrowall on the outside of the area you want to restrict (e.g. the doorway). Ensure the **FORBIDDEN AREA** marking on the electrowall faces towards the restricted area.



NOTICE - The maximum range of the electrowall is 9.1' (3 m).

- Ensure the power switch is facing the ceiling and the signal transmitter is facing towards the opening you want to block.
- Switch off the electrowall after the finished cleaning session.

APP Download and Connection

EN

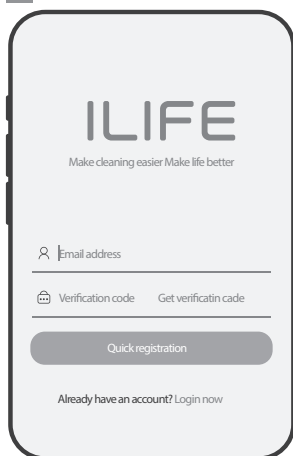
Downloading the App

The robot can be controlled by the “ILIFE Robot” app. Scan the QR code to install the app on your iOS or Android device.

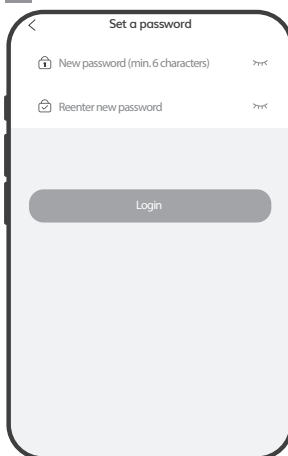


Starting the App

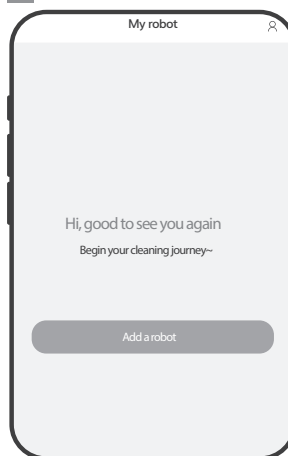
1



2

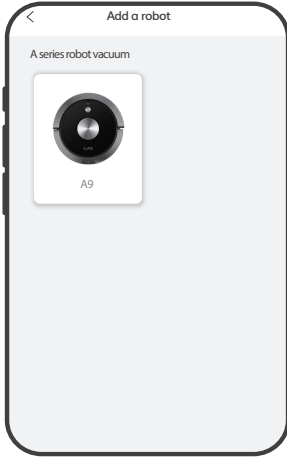


3



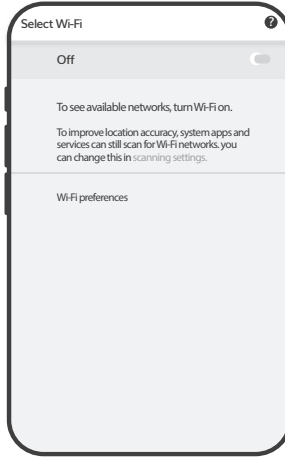
- Open the app.
- Insert your mobile phone email address. Tap on “**Get verification code**”.
- Enter the verification code.
- Tap on “**Quick registration**”.
- Enter the new password.
- Tap on “**Login**”.
- Tap on “**Add a robot**”.

4



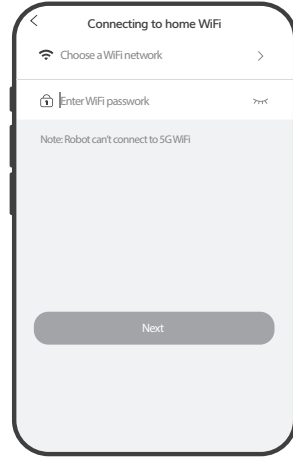
- Choose your robot.

5



- Switch on the WiFi.

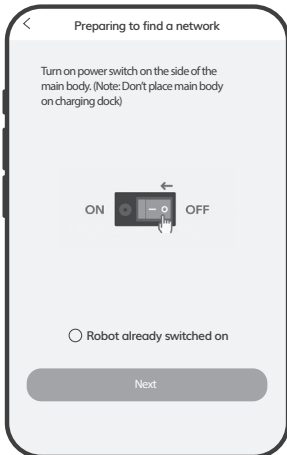
6



NOTICE - The robot is not 5G Wi-Fi compatible.

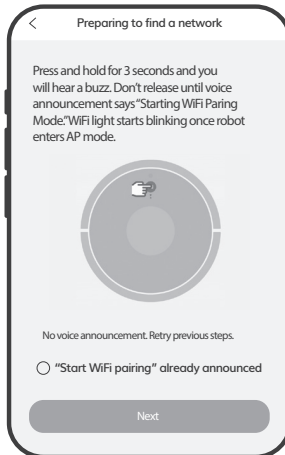
- Choose the WiFi network.
- Enter the WiFi password.
- Tap on **"Next"**.

7



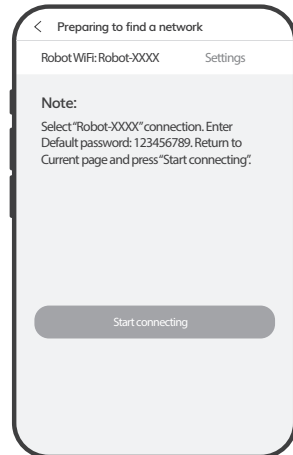
- Set the ON/OFF switch to **I** position.
- Mark the **"Robot already switched on"** field.
- Tap on **"Next"**.

8



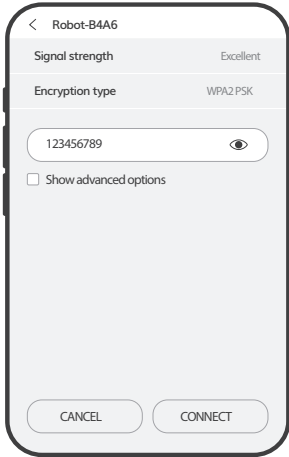
- Press and hold the start/pause button on the robot for 3 seconds. The robot beeps.
- Mark the **"Starting WiFi pairing mode already announced"** field.
- Tap on **"Start connecting"**.

9



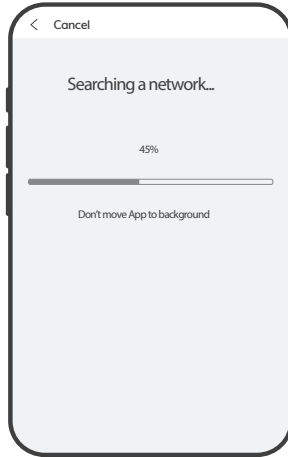
- Tap on **"Settings"**.

10



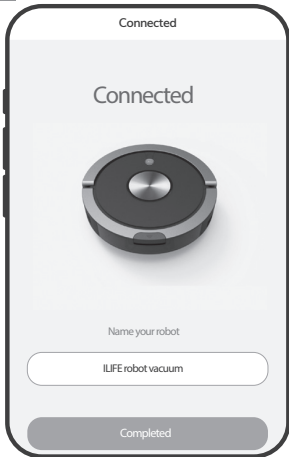
- Select "Robot-XXXX" connection. Enter default password: 123456789
- Return to APP.
- Tap on "Start connecting".

11



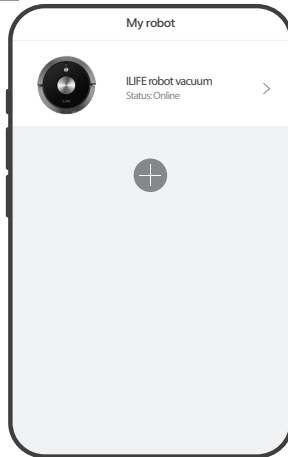
- Wait until the connection is completed.

12



- Set your robot's name.
- Tap on **“Completed”**

13



- The robot is connected and ready to use.

Cleaning and Maintenance

WARNING - To prevent electric shock, unplug the robot/charging dock before cleaning.

WARNING - During cleaning do not immerse the robot in water or other liquids. Never hold the robot under running water.

Cleaning and Maintenance Schedule

Accessory	Cleaning	Replacements
Main unit	Once a week	—
Dustbin	After each use	—
High performance filter	Once a week (twice a week for a pet-owning household)	Once every two months
Main brush	Once a week (twice a week for a pet-owning household)	As needed
Side brushes	Once a week	As needed

ILIFE Customer Service

To purchase the accessories, contact the ILIFE Customer Service:

1-800-631-9676 (Toll free for USA & Canada)

+86-75521005927 (Outside USA & Canada)

Monday-Friday from 9:00 AM - 5:00 PM CST

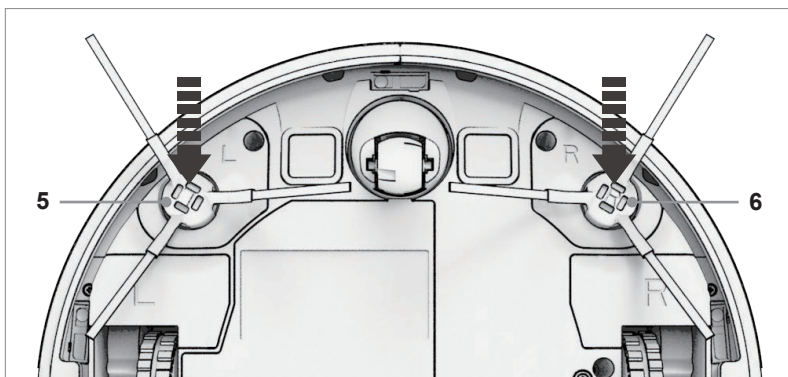
Email: support@iliferobot.com

Cleaning the Robot

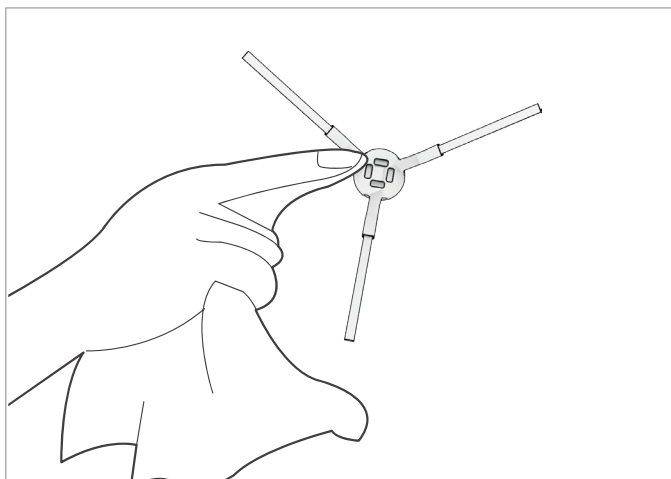
- To clean, wipe with a soft, **slightly** moist cloth.
- Never use corrosive detergents, wire brushes, abrasive scourers, metal or sharp utensils to clean the product.

Cleaning/Replacing the Side Brushes

- Use two hands to pull off each side brush.
- Pull or cut away hair from the side brushes and the pins.

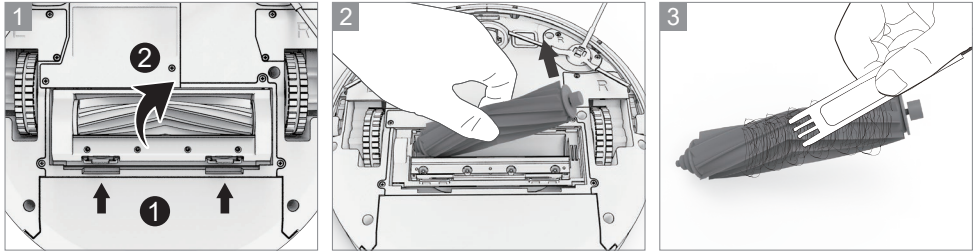


- Clean the side brushes with a soft cloth.

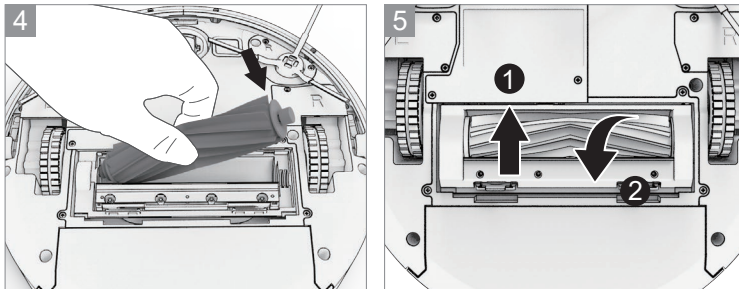


Cleaning/Replacing the Main Brush

- Press the brush compartment cover notches. Lift the cover (Fig. 1).
- Take out the brush from the brush compartment (Fig. 2).
- Remove the dirt and hair using the cleaning comb (Fig. 3).

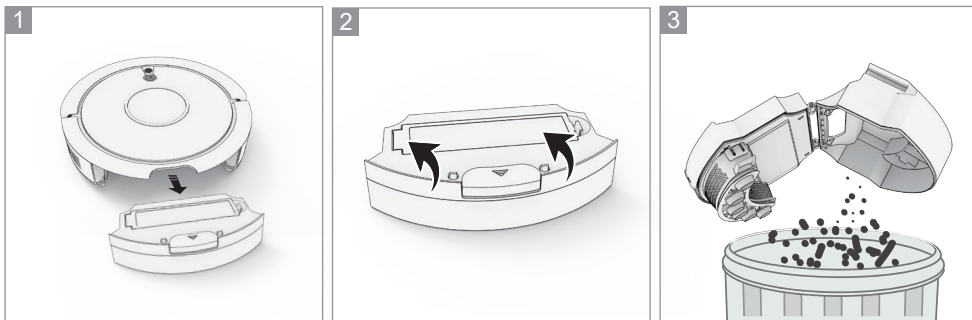


- Place the main brush back in the brush compartment (Fig. 4).
- Close the brush compartment cover (Fig. 5).

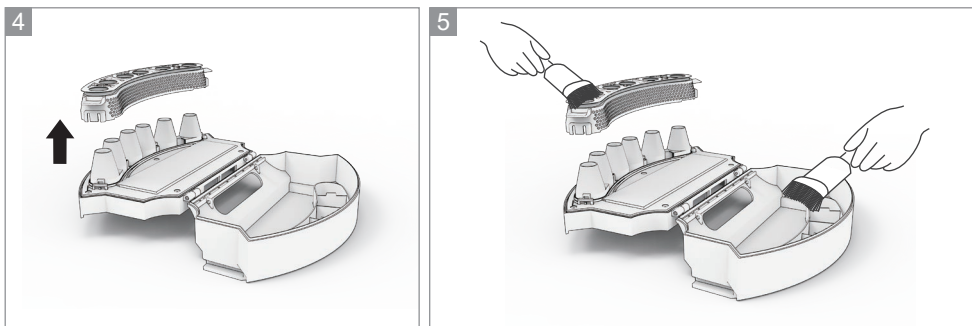


Cleaning the Dustbin

- Press the dustbin release button. Remove the dustbin from the robot (Fig. 1).
- Pull up the dustbin cover to open the dustbin (Fig. 2).
- Empty the dust and debris into trash. Be careful not to empty any dustbin parts (Fig. 3).



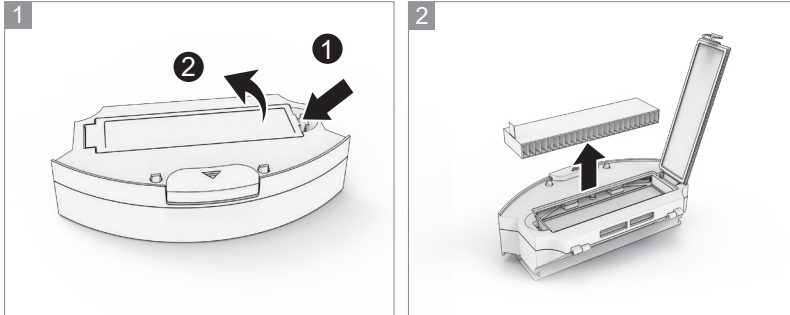
- Remove the isolation bracket (Fig. 4).
- Clean the isolation bracket and the dustbin with the cleaning comb (Fig. 5).
- Rinse the isolation bracket with water and let dry.



- Reinsert the isolation bracket.
- Close the dustbin.
- Reinsert the dustbin into the robot.

Cleaning the High Performance Filter

- Press the filter release notch and open the filter compartment's cover (Fig. 1).
- Take out the filter (Fig. 2).
- Rinse the filter with water. Let dry.



- Reinsert the high performance filter into the filter compartment. Close the compartment.

Troubleshooting

NOTICE - During cleaning do not immerse the robot in water or other liquids.
Never hold the robot under running water.

Problems	Solutions
The robot cannot operate normally.	<ul style="list-style-type: none"> • Make sure the main power switch is in the ON position. • Make sure the battery is fully charged. • If the problem persists, turn off the power switch and then turn it back on.
The robot stopped cleaning suddenly.	<ul style="list-style-type: none"> • Check if the battery has enough electricity. • Check if the robot is malfunctioning and showing the red light. • If the problem persists, turn off the power switch and then turn it back on.

Problems	Solutions
The robot repeatedly rotates.	<ul style="list-style-type: none"> • After loading,the robot will rotate to obtain and plan the best cleaning route sometimes,which is a normal cleaning status. • Check if the side wheels and nose wheel are working properly.Clean the entangled dirt and hair regularly by cleaning comb.
The noisy is seriously when the robot is cleaning.	<ul style="list-style-type: none"> • When Max mode is activated, the sound will increase accordingly. • Check if any obstacle are blocking the suction inlet. • Check if the nose wheel has abnormal noise.
The schedule cleaning is always invalid.	<ul style="list-style-type: none"> • Make sure the main power switch is in the ON position. • Make sure the scheduled time has been set correctly. • The robot will automatically synchronize the phone's clock after opening the ILIFE APP,but the schedules cleaning time still valid . • Cleaning schedules are erased when power switch is turned off or the electricity of the robot is exhausted.The valid cleaning schedule must be reset via the app or the remote control.
The robot cannot return to the Charging Dock.	<ul style="list-style-type: none"> • Please put the Charging Dock in a empty place such as the living room. • Do not place articles within the area 1m on the left and right and 2m in the front . • Clean the charging pins regularly. • Ensure the robot is started from the Charging Dock.After starting the auto mode, do not switch to other cleaning modes in the cleaning progress.

Problems	Solutions
<p>The robot cannot return to the Charging Dock.</p>	<ul style="list-style-type: none"> • Ensure that the robot is not stopped midway, otherwise it will return to the last starting point and stop after the cleaning is finished. • When the robot is near the Charging Dock, it will return more quickly. However, if the Charging Dock is located far away, robot will need more time to return. Please be patient as it works its way back.
<p>The robot found the charging dock, but could not recharge normally.</p>	<ul style="list-style-type: none"> • Check if the indicator on the Charging Dock lights up. If not, contact the ILIFE service center to repair or replace the Charging Dock. • Ensure to install the left and right side brush on to their respective pins. (yellow-left,blue-right.) • Clean the charging pins regularly with a dry cloth. • Check if you can hear a beep when robot is docked onto the Charging Dock. If not, contact the ILIFE service center to repair or replace the Charging Dock.
<p>The main brush does not rotate normally.</p>	<ul style="list-style-type: none"> • Check if the main brush is entangled by the hair and dirt,remove the hair and dirt by the cleaning comb. • Check if the main brush and brush cover have been installed properly.
<p>Suction power is weak.</p>	<ul style="list-style-type: none"> • Check if any obstacle are blocking the suction inlet. • Empty and clean the dustbin regularly. • Clean the filters with a vacuum cleaner or a cleaning comb. • If the filters are wet due to water or other liquid on the floor, please replace the new filter .

Problems	Solutions
<p>The voice of the robot is invalid or the voice is fragmentary.</p>	<ul style="list-style-type: none"> • Check if the voice switch is turn off in the app. • If the voice is invalid after turn on voice switch in the app,contact the ILIFE service center to repair.
<p>The remote control does not work.</p>	<ul style="list-style-type: none"> • Replace the batteries (2 AAA) in the remote control. • Make sure the robot is turned on and fully charged. • Ensure the robot is in the select mode before setting the schedule/local time. • Make sure the remote control is within range (13 ft/4 m) of robot.
<p>The electrowall does not work.</p>	<ul style="list-style-type: none"> • Replace the batteries (2 AA) in the electrowall. • Make sure the power switch of the electrowall is in the ON position and the light of signal transmitteris fade in and out. • Check the FORBIDDEN AREA marking on the electrowall faces towards the restricted area,and ensure the robot is working in the WORKING AREA.
<p>The robot cannot connect to a Wi-Fi network.</p>	<ul style="list-style-type: none"> • Make sure your Wi-Fi router supports the 2.4GHz ; the 5GHz band is not supported.For more detailed information, please visit: www.iliferobot.com .
<p>You cannot control the robot with Amazon Alexa.</p>	<ul style="list-style-type: none"> • Check if there are any Internet connection problems. • Check whether you have installed the Amazon Alexa app onto your smart device and enabled “ILIFE Robot” Skill in the Amazon Alexa app. • Make sure the Robot is connected to the network. • Make sure you are using correct Alexa voice-commands.

Problems	Solutions
You cannot control The robot with Amazon Alexa.	<ul style="list-style-type: none"> The “ILIFE Robot” Skill for Alexa is currently only available in English.
Voice Announcement	Solution
Left brush stuck, please remove and clean.	Remove and clean the left side brush Clean the left side pin.
Right brush stuck, please remove and clean.	Remove and clean the right side brush Clean the right side pin.
Left wheel stuck, please rotate and clean.	Scroll and clean the left side wheel Depress the wheel to inspect for foreign objects.
Right wheel stuck, please rotate and clean.	Scroll and clean the right side wheel Depress the wheel to inspect for foreign objects.
Please inspect and tap bumper to confirm movement is normal.	Check and clean the bumper.
<ul style="list-style-type: none"> Fan motor issue, please contact customer service. 	Contact the service center: 1-800-631-9676 (Toll free for USA & Canada) +86-75521005927 (Outside USA & Canada) Monday-Friday from 9:00 AM - 5:00 PM CST Email: support@iliferobot.com
Cliff sensors blocked, please wipe them.	Check and clean the cliff sensor.
Nose wheel issue, please remove and clean.	Check and clean the nose wheel.
Suspended, please put back on ground.	Ensure the robot is positioned flat on the stable ground.
Trapped, please put in an open area.	Ensure the robot is positioned flat on the stable ground in an open area.
Gyro issue, please restart vacuum.	Restart the robot.
Please unplug the power cord.	Pull out the charging plug. Restart the robot.
Low power, please charge now.	Charge the robot

NOTICE - If the solution does not help, restart the robot. If the problem persists, contact the service center.

FCC - Supplier's Declaration of Conformity

EN

Unique Identifier	2AO2M-A581
Responsible Party	Shen Zhen ZhiYi Technology Co.,
U.S. Contact Information	Email: support@iliferobot.com
Telephone Number	1-800-631-9676 (Toll free for USA & Canada) Monday-Friday from 9:00 AM - 5:00 PM CST

FCC Compliance Statement

1. This device complies with Part 15 of the FCC rules. Operation is subject to the following two conditions:
 - (1) this device may not cause harmful interference, and
 - (2) this device must accept any interference received, including interference that may cause undesired operation.
2. Changes or modifications not expressly approved by the party responsible for compliance could void the user's authority to operate the equipment.

FCC Compliance Statement

This equipment has been tested and found to comply with the limits for a Class B digital device, pursuant to part 15 of the FCC Rules. These limits are designed to provide reasonable protection against harmful interference in a residential installation. This equipment generates, uses and can radiate radio frequency energy and, if not installed and used in accordance with the instructions, may cause harmful interference to radio communications. However, there is no guarantee that interference will not occur in a particular installation. If this equipment does cause harmful interference to radio or television reception, which can be determined by turning the equipment off and on, the user is encouraged to try to correct the interference by one or more of the following measures:

- Reorient or relocate the receiving antenna.
- Increase the separation between the equipment and receiver.
- Connect the equipment into an outlet on a circuit different from that to which the receiver is connected.
- Consult the dealer or an experienced radio / TV technician for help.

Canada IC Notice

- This device contains licence-exempt transmitter(s)/receiver(s) that comply with Innovation, Science and Economic Development Canada's licence-exempt RSS(s). Operation is subject to the following two conditions:
 - (1) this device may not cause interference, and
 - (2) this device must accept any interference, including interference that may cause undesired operation of the device.
- This equipment complies with Industry Canada radiation exposure limits set forth for an uncontrolled environment.
- This **Class B** digital apparatus complies with Canadian **CAN ICES-3(B) / NMB-3(B)** standard.

Specifications

Power input:	100-240 V ~, 50/60 Hz
Power output:	19 V ---, 0.6 A
Battery type:	Lithium battery
Charging time:	approx. 300 mins
Operation time on a full charge:	approx. 110 mins
Dustbin capacity:	20.3 fl oz (0.6 l)
Net weight:	6.85 lb (3.1 kg)
Dimensions (W x H x D):	12.6 x 3 x 13 in (32 x 7.6 x 33 cm)

ILIFE Customer Service

Customer Service Number:

1-800-631-9676 (Toll free for USA & Canada)

+86-75521005927 (Outside USA & Canada)

Monday-Friday from 9:00 AM - 5:00 PM CST

Email: support@iliferobot.com

Made in China