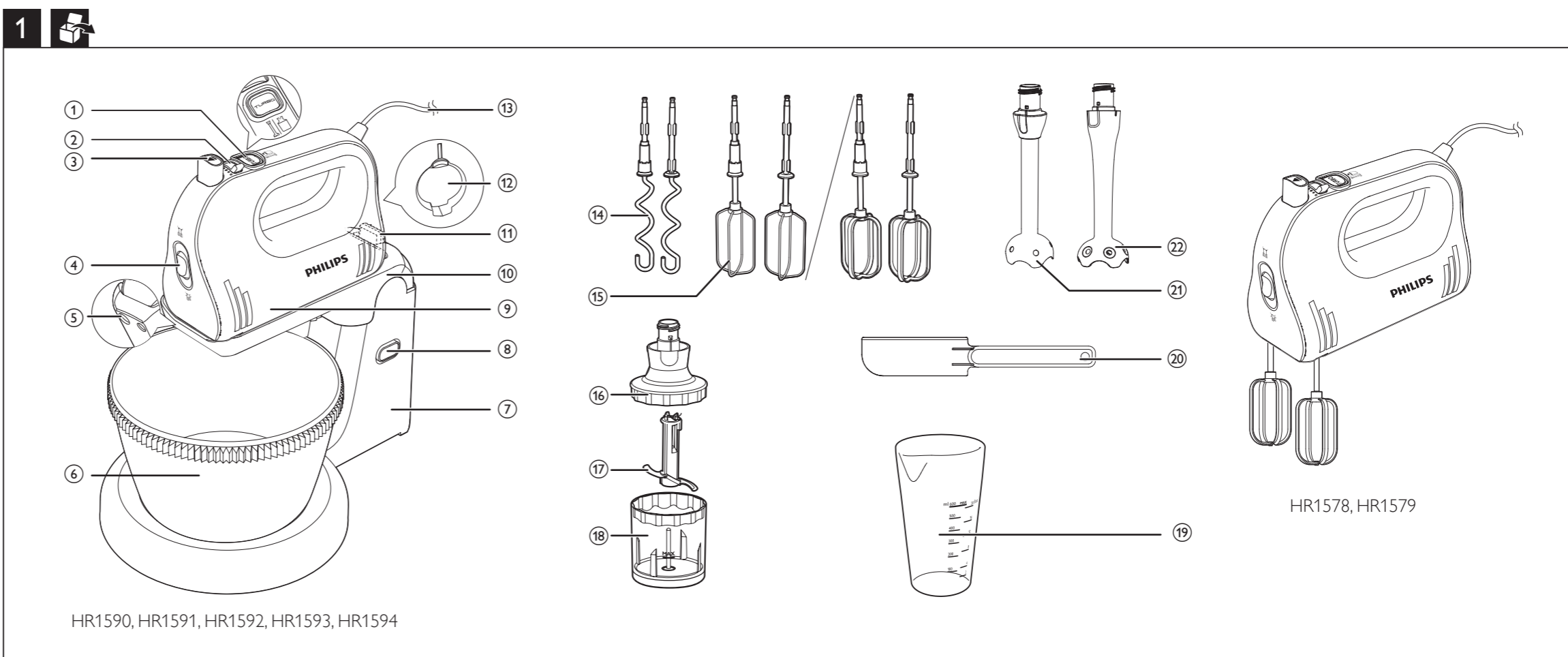


HR1578
HR1579
HR1590
HR1591
HR1592
HR1593
HR1594



EN User manual UK Посібник користувача
RU Руководство пользователя

HR1590, HR1591, HR1592, HR1593, HR1594

HR1578, HR1579

PHILIPS



		(MAX)		
		500 ml	6 min	max
		5	4 min	max
		750 g	3 min	max
		750 g	3 min	max
		750 g	3 min	max
		500 g	5 min	min to max
		100-200 g	30 sec	TURBO
		100-200 ml	90 sec	TURBO
		100-300 ml	60 sec	TURBO
		100 g	5X1sec	TURBO
		120 g	5sec	TURBO
		20 g	5X1sec	TURBO
		100 g	15 sec	TURBO
		100 g	20 sec	TURBO
		50 g	5X1sec	TURBO
		200 g	5 sec	TURBO

Specifications are subject to change without notice
© 2016 Koninklijke Philips N.V.
All rights reserved.

3140 035 31705

English

1 Important

Read this user manual carefully before you use the appliance, and save the user manual for future reference.

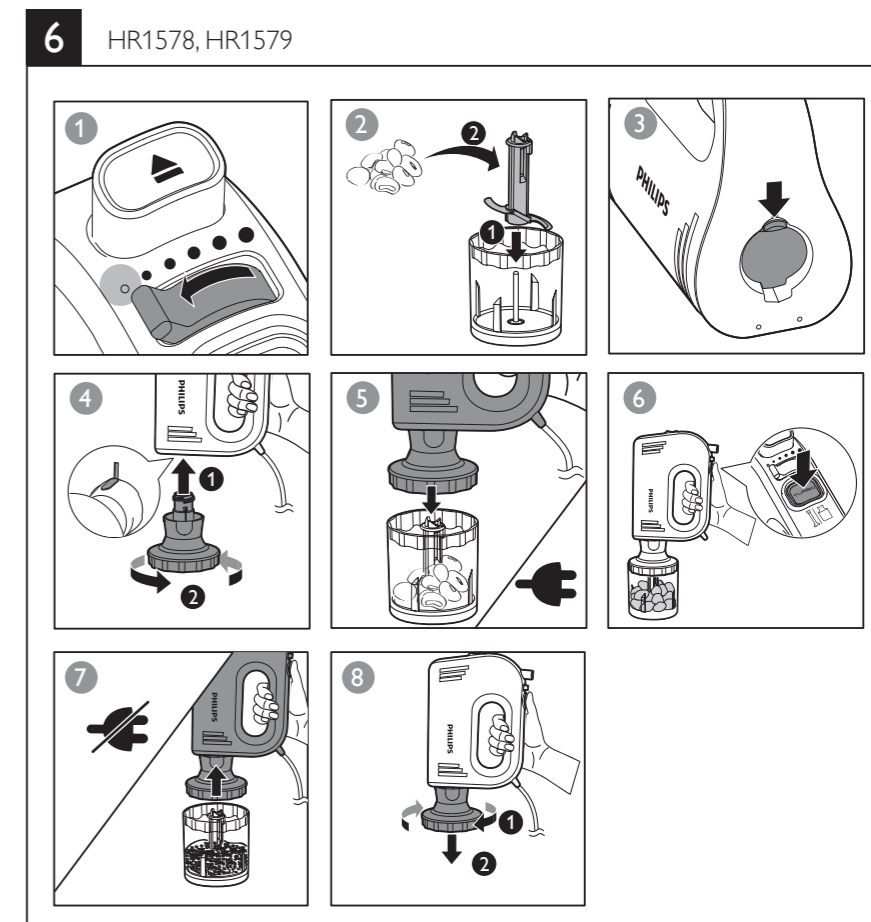
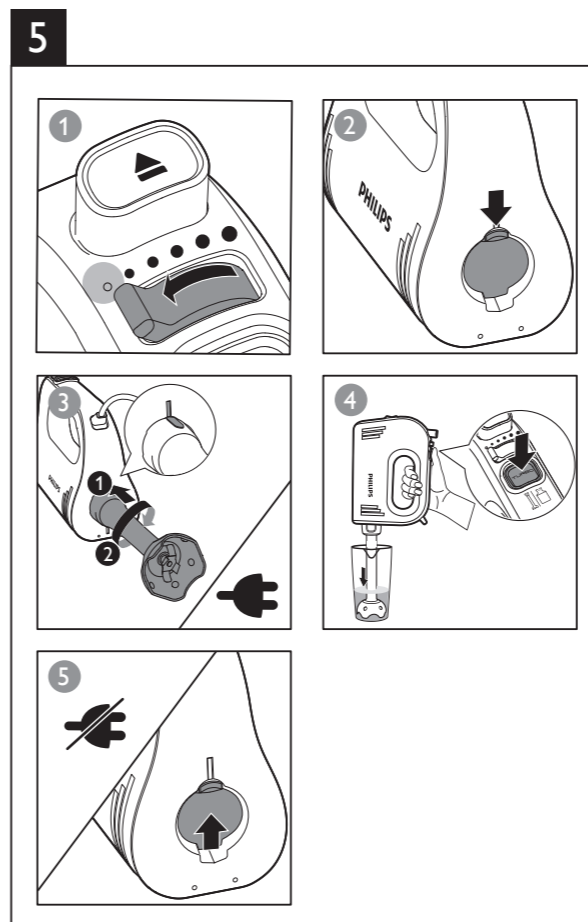
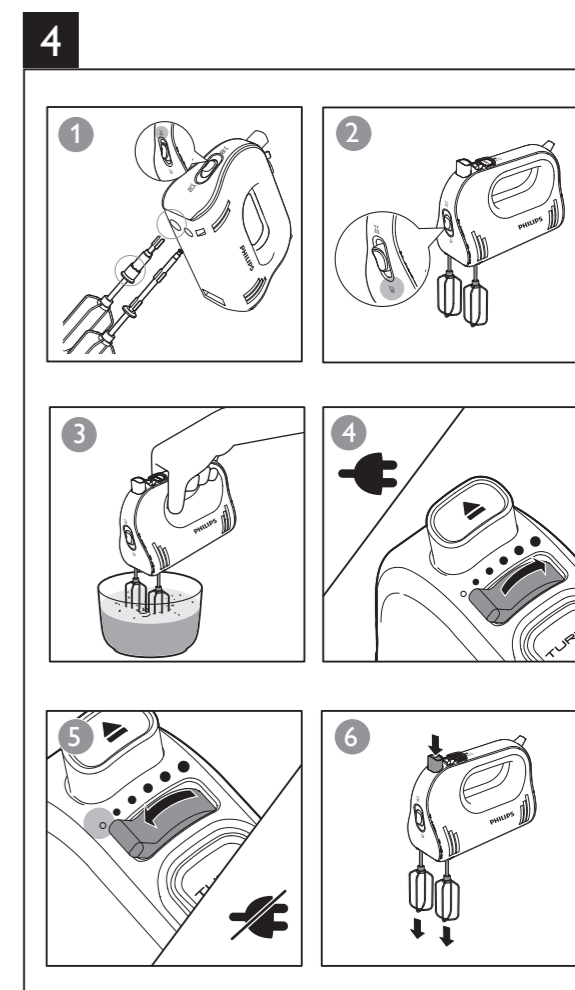
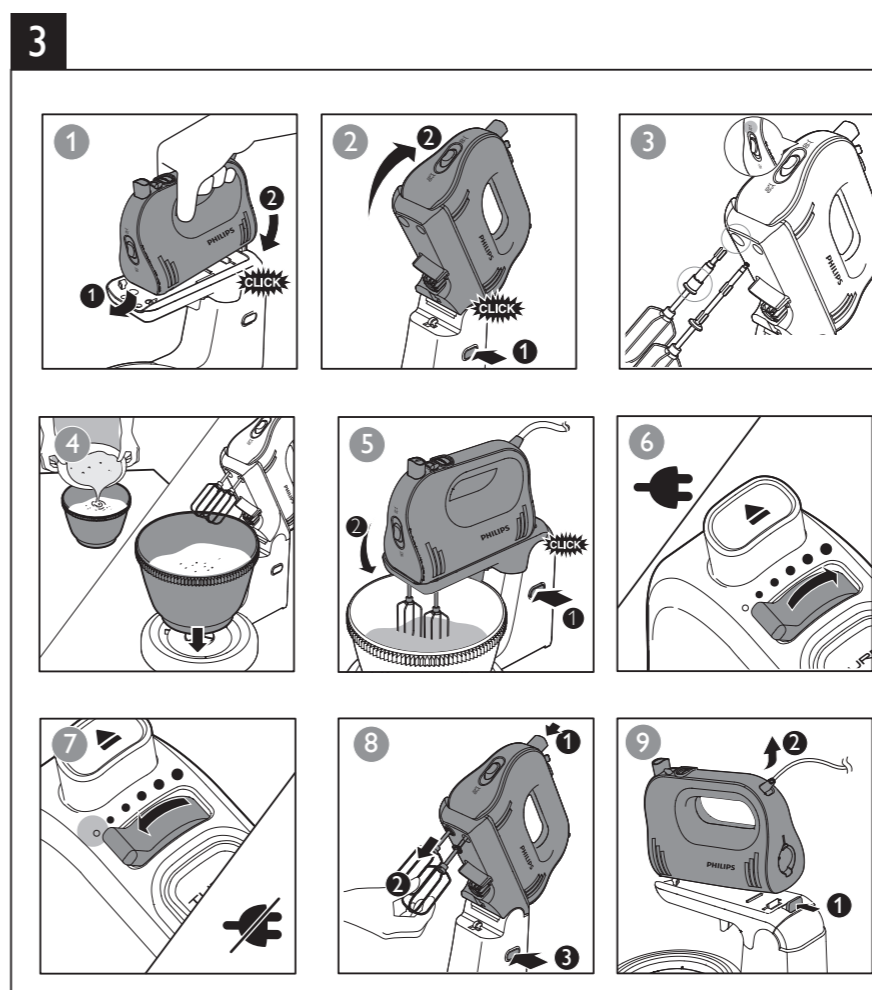
Warning

- Do not immerse the motor unit in water nor rinse it under the tap.
- Before you connect the appliance to the power, make sure that the voltage indicated on the bottom of the appliance corresponds to the local power voltage.
- If the supply cord is damaged, it must be replaced by the manufacturer, its service agent or similarly qualified persons in order to avoid a hazard.
- Appliances can be used by persons with reduced physical, sensory or metal capabilities or lack of experience and knowledge if they have been given supervision or instruction concerning use of the appliance in a safe way and if they understand the hazards involved.
- Children should be supervised to ensure that they do not play with the appliance.
- This appliance shall not be used by children. Keep the appliance and its cord out of reach of children.
- Before you connect the mixer to the mains, insert the beaters into the mixer.
- Before you switch on the appliance, lower the beaters into the ingredients.
- Switch off the appliance and disconnect it from the mains if you leave it unattended and before you assemble, disassemble and clean it and before changing accessories or approaching parts that move in use.
- Do not touch the blades, especially when the appliance is plugged in. The blades are very sharp.
- If the blades get stuck, unplug the appliance before you remove the ingredients that block the blades.
- Do not touch or insert any object on the gears of the mixer stand, especially when the appliance is in use.

Caution

- Never use any accessories or parts from other manufacturers or that Philips does not specifically recommend. If you use such accessories or parts, your guarantee becomes invalid.
- This appliance is intended for household use only.
- Do not exceed the quantities and processing time indicated in the user manual.
- Do not process more than one batch without interruption. Let the appliance cool down to room temperature before you continue processing.

Note
• Noise level = 85 dB [A]



Миксер
Миксер
HR1578/00 HR1593/00
220-240V - 50-60Hz 750W

Импортер на территории России и Таможенного Союза:
ООО "ФИЛИПС", Россия, Москва, ул. Сергея Макеева, 13,
тел. +7 495 961-1111

Изготовитель:
"Филипс Коньюмер Лайфстайл Б.В.",
Туссендиелен 4, 9206 АД, Драхтен, Нидерланды

Для бытовых нужд

Рейс және Кедендік Одақ территориясына импорттаушы:
"ФИЛИПС" ЖШҚ, Ресей, Мәскеу қаласы, Сергей Макеев көшесі,
13-үй, тел. +7 495 961-1111

Өндіруші:
"Филипс Коньюмер Лайфстайл Б.В.", Туссендиелен 4, 9206 АД,
Драхтен, Нидерланды

Тұрмыстық қажеттіліктерге арналған

Electromagnetic fields (EMF)

This Philips appliance complies with all standards regarding electromagnetic fields (EMF). If handled properly and according to the instructions in this user manual, the appliance is safe to use based on scientific evidence available today.

Recycling

Your product is designed and manufactured with high quality materials and components, which can be recycled and reused.

When you see the crossed-out wheel bin symbol attached to a product, it means the product is covered by the European Directive 2002/96/EC.

Never dispose of your product with other household waste. Please inform yourself about the local rules on the separate collection of electrical and electronic products. The correct disposal of your old product helps prevent potentially negative consequences on the environment and human health.

2 Introduction

Congratulations on your purchase and welcome to Philips! To fully benefit from the support that Philips offers, register your product at www.philips.com/welcome.

The mixer, when used as handheld is equipped with the innovative FlexiMix system, which allows the beaters and dough hooks to move up and down when they touch the bowl. The two wire beaters/strip beaters (or kneading hooks) move independently of each other, which allows them to adjust to the shape of every bowl. As a result, it is much easier to reach every part of the bowl and to mix all ingredients thoroughly. The FlexiMix system makes the mixer easier to handle and gives you better control over the mixing process.

3 What's in the box

- Turbo knob**
 - Press and hold to increase the speed
- Speed control**
 - : OFF position
 - : Variable speeds
- Eject button**
 - Press to release the beaters or kneading hooks
- FlexiMix switch**
 - ☐ : FlexiMix off
 - ☑ : FlexiMix on
- Hole for the beaters and kneading hooks**
- Stainless steel bowl (HR1590, HR1591, HR1592, HR1593 and HR1594 only)**
- Mixer Stand (HR1590, HR1591, HR1592, HR1593 and HR1594 only)**
- Holder release button**
- Mixer unit**
- Mixer holder**
- Mixer release lever**
- Power cord**
- Kneading hooks**
- Wire beaters or strip beaters (depending on countries)**
- Chopper lid (HR1578 and HR1579 only)**
- Chopper blade (HR1578 and HR1579 only)**
- Chopper bowl (HR1578 and HR1579 only)**

	✗	✗	✓
	✗	✗	✓
	✓	✓	✓
	✓	✓	✓
	✓	✓	✓
	✓	✓	✓
	✗	✗	✓
	✓	✓	✓

