

SENCOR®

SVC 8936TI



EN ■ Cordless vacuum cleaner

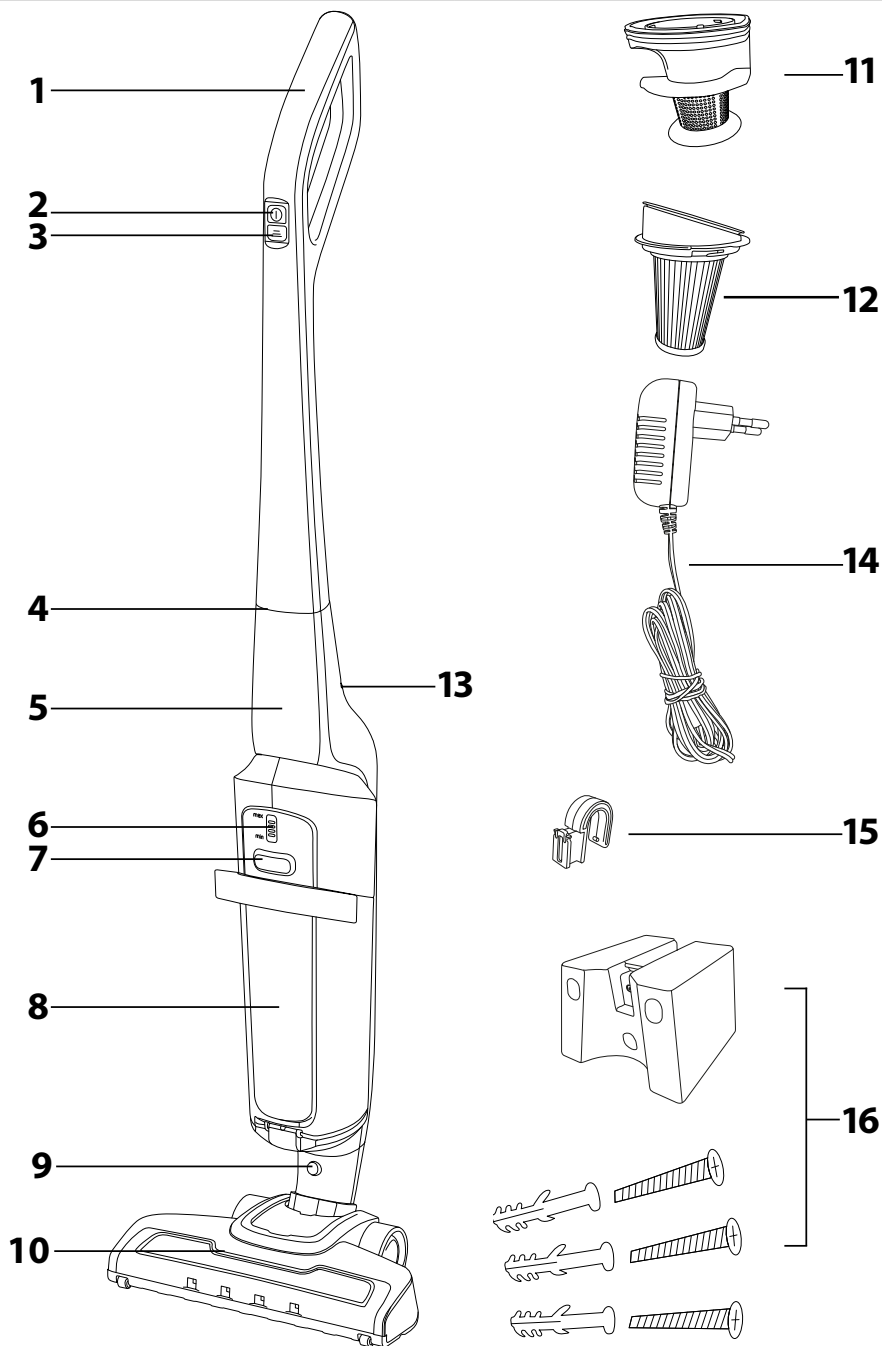
Translation of the original manual

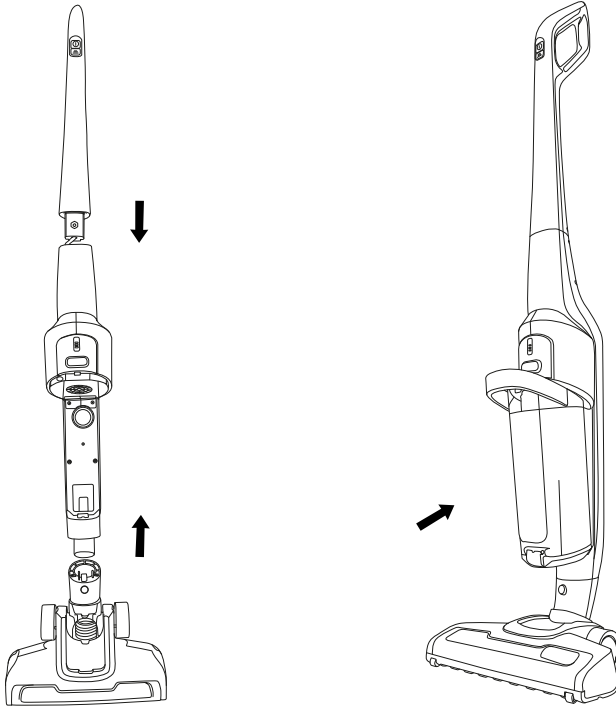
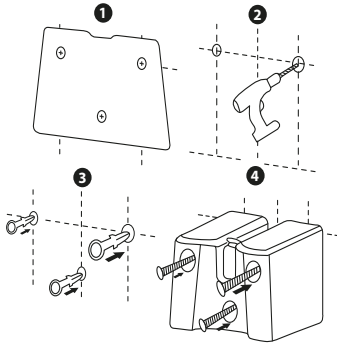
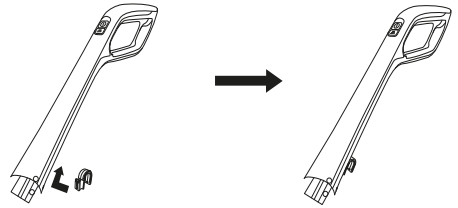
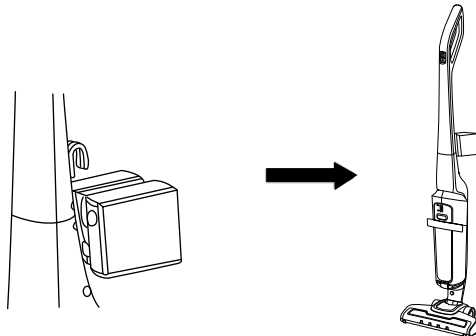
READ CAREFULLY AND STORE FOR FUTURE REFERENCE

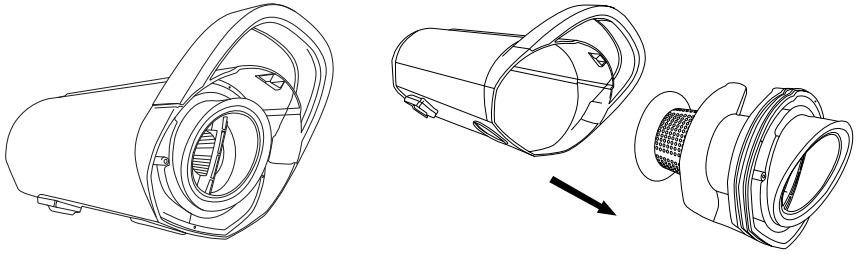
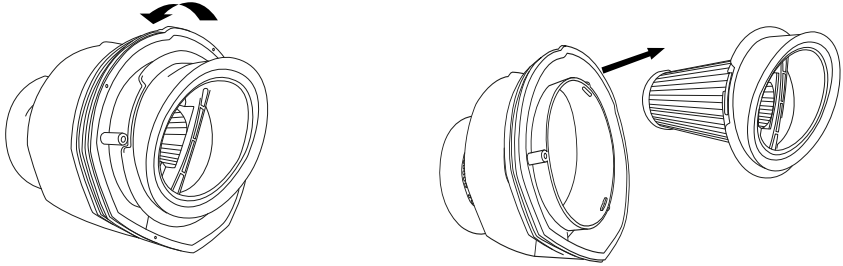
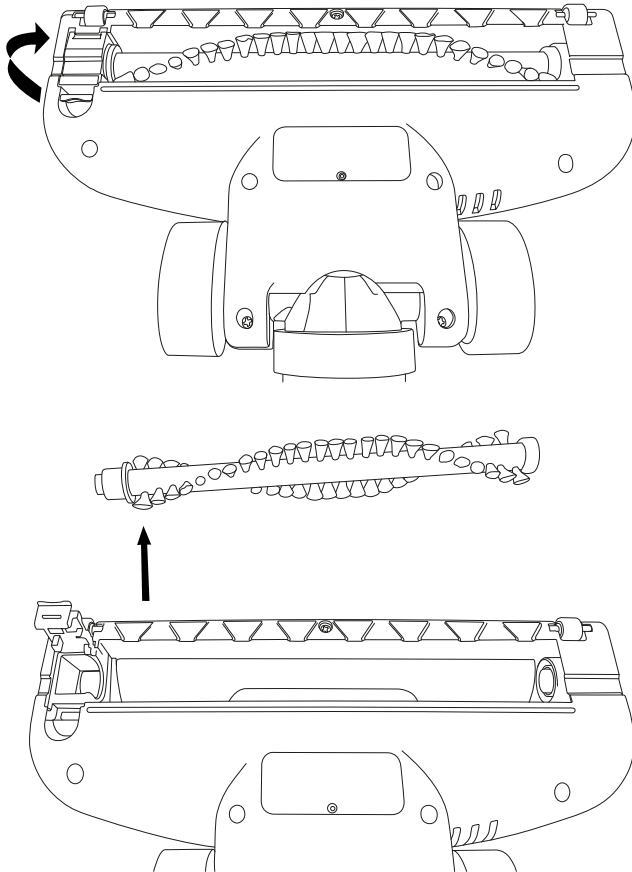
- This vacuum cleaner may be used by children 8 years of age and older and by persons with physical or mental impairments or by inexperienced persons, if they are properly supervised or have been informed about how to use this vacuum cleaner in a safe manner and understand the potential danger.
- Children must not play with the appliance. Cleaning and maintenance performed by the user must not be performed by unsupervised children.
- If the power adapter is damaged, it must be replaced with an original type. For a replacement power adapter, please contact an authorised service centre. It is forbidden to use the appliance if it has a damaged power adapter.
- Only use the vacuum cleaner with the original power adapter and accessories that were supplied with it.
- Keep the vacuum cleaner and its accessories out of reach of children that are younger than 8 years of age.
- Disconnect the power adapter from the power outlet prior cleaning and maintenance of the appliance.
- This vacuum cleaner is designed for use in households, offices and similar types of area. Do not use it in industrial surroundings and outdoors.
- Do not expose the vacuum cleaner to direct sunlight and do not place it near an open fire or appliances that are a source of heat.
- Before connecting the adapter to a power socket, check that the technical details on its rating label match the electrical voltage in the power socket.
- Make sure the adapter power cord is not touching a hot surface or sharp objects. Position the adapter power cord so that it will not be tripped over.
- Never submerge the vacuum cleaner or the power adapter in water or any other liquid and do not wash under running water.
- Before turning on the vacuum cleaner, check the dust container and the filters are properly installed.
- When the vacuum cleaner is running, ensure that the air outlets and the suction opening are not blocked.
- Do not use the vacuum cleaner to vacuum the following items:
 - Smouldering cigarettes, burning items, matches or embers;
 - Water and other liquid;
 - Flammable or volatile materials;
 - Sharp items, e. g. broken glass, needles, pins, etc.;
 - Flour, wall plaster, cement and other building materials;
 - Larger pieces of paper or plastic bags, which can easily block the suction opening.

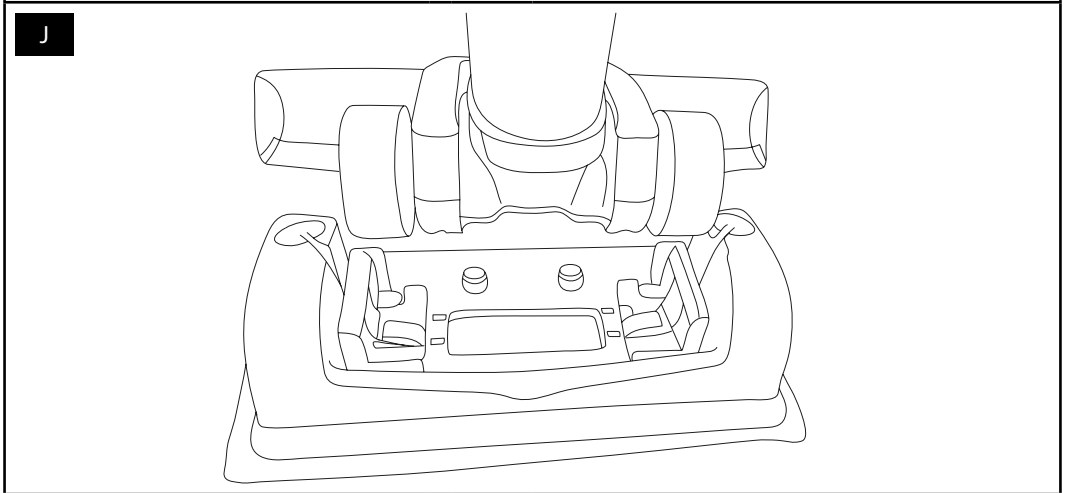
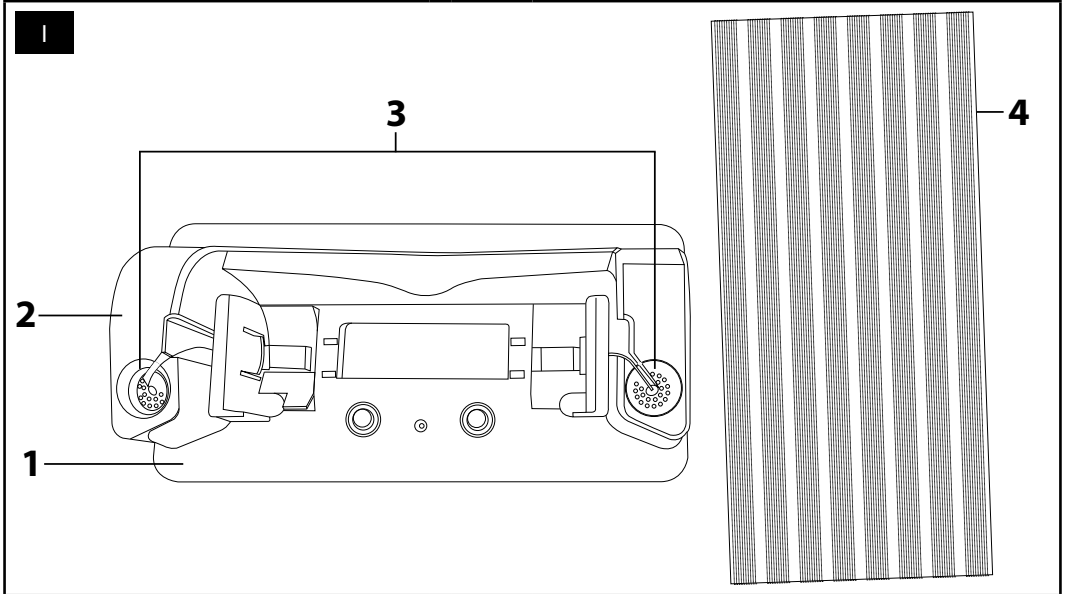
- Vacuuming of some types of floors can create electrostatic discharge, which presents no danger to the user.
- Always turn off the vacuum cleaner if you have finished using it or before cleaning.
- Disconnect the power adapter from the power socket before cleaning it and after it has finished the charging.
- Disconnect the power adapter from the power socket by pulling on the plug; never pull on the power cord. Otherwise, this could damage the power adapter or the socket.
- Do not use the vacuum cleaner if it is not working correctly, if it has been damaged or has been submerged in water. Do not repair the vacuum cleaner yourself or make any adjustments to it. Have all repairs performed at an authorised service centre. By tampering with the appliance, you risk voiding your legal rights arising from unsatisfactory performance or quality warranty.

A



B**C****D****E**

F**G****H**



CORDESS VACUUM CLEANER

Prior to using this appliance, please read the user's manual thoroughly, even in cases where you have previously familiarised yourself with the operation of similar types of appliances. Only use the appliance in the manner described in this user's manual. Keep this user's manual in a safe place where it can be easily retrieved for future use. We recommend saving the original cardboard box, packaging material, and purchase receipt and responsibility statement of the vendor or warranty card for at least the duration of the legal liability for unsatisfactory performance or quality. In the event of transportation, we recommend that you pack the appliance in the original box from the manufacturer.

DESCRIPTION OF THE VACUUM CLEANER AND ITS ACCESSORIES

A1 Vacuum cleaner handle	A8 Dust container
A2 On/Off button of the vacuum cleaner	A9 Floor nozzle release button
A3 Suction level button of the vacuum cleaner	A10 Floor nozzle with an electric rotary brush
A4 Connecting cable (located in the joint between the handle and the body of the vacuum cleaner)	A11 Washable external filter
A5 Vacuum cleaner body	A12 Washable internal HEPA type filter
A6 LED indicators of charging and battery level	A13 Power adapter charging socket
A7 Dust container release button	A14 Power adapter
	A15 Hook for hanging the vacuum cleaner
	A16 Wall mount holder set (mount required)

DESCRIPTION OF THE MOP ATTACHMENT

I1 Mop attachment	I5 Surface to attach the mop cover (at the bottom of the attachment, not shown)
I2 Tank for water / solution with cleaning detergent	I6 Removable panel with nozzles (at the bottom of the attachment, not shown)
I3 Filling outlet	
I4 Removable Velcro mop cover	

BEFORE FIRST USE

Before first use, take the appliance and its accessories out of the packaging material and remove all promotional labels and stickers. Check that neither the appliance nor any of its parts is damaged.

ASSEMBLY AND DISASSEMBLY

Due to the safety reasons during the transport, the vacuum cleaner is delivered disassembled. When assembling, please follow these steps (see also the process in the picture B).

1. Connect the handle **A1** to the vacuum cleaner body **A5** so that the connecting cable **A4** is inside the connection. Secure the connection with the supplied screw.
2. Connect the floor nozzle **A10** to the bottom part of the vacuum cleaner body **A5**. The correct connection of the floor nozzle **A10** is indicated by a click sound of button **A9**.
3. In the end, insert the dust container **A8** into the vacuum cleaner body **A5**. At first, insert the bottom part of the dust container **A8** at the angle of 30° in the vacuum cleaner body **A5** and then carefully attach the upper part of the dust container **A8**. The correct attachment of the dust container **A8** is indicated by a click sound. To disassemble, proceed in reverse sequence.

PARKING POSITION OF THE VACUUM CLEANER

Put the vacuum cleaner into the parking position by placing the tip of your foot on the top of the floor nozzle **A10** and with a simply forward movement of the handle **A1** secure the vacuum cleaner in the vertical position. The latch located at the front of the elbow of the floor nozzle **A10** will slide into the groove on the top cover of the floor nozzle **A10**.

To release the vacuum cleaner from the parking position, place the tip of your foot on the top of the floor nozzle **A10** and tilt the hand **A1** backwards. The latch located at the front of the elbow of the floor nozzle **A10** will slide out of groove on the top cover of the floor nozzle **A10**.

CHARGING THE VACUUM CLEANER

Connect the connector of the power adapter **A14** to the socket **A13** and insert the plug of the power adapter into the power socket.



Note:

Before charging, it is important the vacuum cleaner has been turned off and has been tilted in the upright position. Do not turn on the vacuum cleaner if it is being charged and the power adapter **A14** is plugged in the power outlet.

Once the adapter **A14** has been inserted into the power socket, the vacuum cleaner will switch to charging mode and LED indicators **A6** will signal the power level. A full charge requires approximately 6 - 8 hours. The actual charging time depends on the power level of the battery.

Once the charging process is complete, all LED indicators **A6** will be lit. Disconnect the power adapter **A14** from the power socket.



Note:

This vacuum cleaner contains a built-in Li-ion battery. To ensure the longest possible lifetime of the battery, we recommend:

- Do not unnecessarily leave the battery fully charged or completely flat for too long.
- Do not keep the battery permanently fully charged. Its lifetime will be extended by keeping it at approximately half charge.
- Do not fully discharge the battery.

USING THE VACUUM CLEANER

You may use the vacuum cleaner for vacuuming various types of floor coverings such as for example hard floor coverings, carpets, etc.

Hold the vacuum cleaner by the handle **A1** and release it from the parking position. After releasing it from the parking position, the handle may be moved in the vertical direction.

Start the vacuum cleaner by pressing button **A2**. The vacuum cleaner will run at the full suction power. If you need to decrease the suction power, press the button **A3**. The suction power of the vacuum cleaner will be decreased. Pressing the button **A3**, you will increase again the suction power.

When you have finished using the vacuum cleaner, press the button **A2** to turn it off. Clean it according to the instructions in chapter "Cleaning and maintenance" and allow it to charge according to the instruction in chapter "Charging the vacuum cleaner".



Note:

The LED indicators **A6** signal the batter power level. The individual LED indicators will turn off as the battery gradually discharges. If it is discharged fully, all LED indicators **A6** will flash and the vacuum cleaner will stop running.

If the rotary brush gets blocked while using, e.g. vacuuming larger amount of hair or animal fur, the system will activate the automatic safety protection that stops the rotary brush to protect it against damage. All LED indicators **A6** will flash for about 10 seconds. Turn off the vacuum cleaner by pressing the button **A2** and remove the jammed hair or animal fur from the rotary brush – more information in chapter "Cleaning and maintenance". Before turning the vacuum cleaner on again, ensure the rotary brush, dust container **A8** and filters **A11** and **A12** are clean.

MOUNTING THE WALL HOLDER

Before mounting the wall holder on a wall, it is important that you check that the installation location has no wires, conduits, pipes, etc. in the wall.



Warning:

Only use the supplied set of screws and dowels for the installation. Under no condition should dowels and screws be used that have a different diameter, different specifications and which are not approved by the manufacturer as suitable for the installation of this type of product.

1. Place the wall holder on the wall at the appropriate height and mark the points by a pencil where the holder will be situated – see picture C.
2. Drill three holes according to the marking.
3. Insert the supplied dowel into each hole.
4. Now, place the holder on the wall and secure it by screws. Ensure they are correctly screwed.
5. Release the handle **A1** from the vacuum cleaner body **A5** and from below, slide the hanging hook **A5** on the back part of the handle **A1** – see picture D. The correct position of the hook **A15** is indicated by a click sound. Attach the handle **A1** back to the vacuum cleaner body **A5**.
6. Lift the vacuum cleaner and place it to the holder so that the hook **A15** is aligned with the groove in the holder. Carefully slide the hook **A15** into the holder groove – see picture E. Ensure the vacuum cleaner is securely fixed in the holder.

USING THE MOP ATTACHMENT

Attach the mop cover **I4** to the surface **I5**. Place the mop attachment **I1** with the attached mop cover **I4** on the ground. Fill in the tank **I2** by water or solution with the cleaning detergent. Avoid spilling water / solution from the filling outlets **I3** of the tank **I2**. Place the vacuum cleaner above the mop attachment **I1** so that the projections on the attachment **I1** were aligned with the holes at the bottom part of the floor nozzle **A10**. Wheels should fit in the construction of the attachment **I1** – see picture J. Slightly push the vacuum cleaner down until you hear a click sound. That signalizes the correct securing of the attachment **I1** to the floor nozzle **A10**. Turn on the vacuum cleaner, and meanwhile you vacuum, the wheels will push on the switches in the attachment **I1**, these will release water / solution through the panel **I6** into the mop cover **I4** which will wipe the floor.



Note:

Regularly check the level of water / solution in the tank **I2** and fill it in if needed.

If you no longer use the mop attachment **I1**, pull up the vacuum cleaner. The switches in the attachment **I1** will be automatically released and water / solution stops flowing.

CLEANING AND MAINTENANCE

Before cleaning, always make sure that the vacuum cleaner is turned off and the power adapter is disconnected from the power socket. We recommend running the cleaning and maintenance after each use to prolong the lifetime of your vacuum cleaner.

**Warning:**

To prevent the risk of injury by electrical shock, do not submerge the appliance, power cord or power plug in water or any another liquid.

Dust container and filters

Press the button **A7** to release the dust container **A8** from the vacuum cleaner body **A5**. Place the dust container **A8** above the dust bin. Hold the handle of the filter and carefully pull it from the container – see picture F.

Remove all contents of the dust container **A8** and if necessary, rinse it out with water. Allow it to dry and ensure the dust container **A8** is completely dry before assembling. Hold the internal filter **A12** by its handle and turn it towards left to remove the internal filter **A12** from the external filter **A11** – see picture G.

Remove dust and dirt from the external filter **A11** and if necessary, wash it under cold running water. Allow it to dry and ensure the external filter **A11** is completely dry before assembling.

Carefully remove dust and dirt from the internal filter **A12**. If the internal filter **A12** is soiled heavily, wash it under running water. Allow it to dry naturally.

To assemble the dust container and filters, proceed in reverse sequence.

**Warning:**

Before assembling the vacuum cleaner, make sure that all its parts are completely dry. Prior to starting it, make sure that all the filters are properly installed in their place. Otherwise, this could damage the vacuum cleaner.

When the filters are soiled, their effectiveness is reduced, so do not neglect their cleaning.

After 6 months of use, we recommend replacing the internal filter **A12** for a new one. Spare filters are available at brick or mortar, and online stores.

Floor nozzle

If the rotary brush is soiled, remove the floor nozzle **A10** from the vacuum cleaner body **A5** by pressing the button **A9**. Turn it so that the rotary brush is pointing upwards. On the left side of the nozzle **A10**, there is a latch that secures the brush cover in place. Release the latch, tilt open the cover and take out the brush – see picture H.

Remove all dirt and dust from the rotary brush and the internal space of the floor nozzle **A10**. After cleaning, return the rotary brush back in its place. Tilt the cover back and secure in place.

For cleaning the surface of the floor nozzle **A10** use a dry or a lightly dampened cloth. Then wipe everything so that it is thoroughly dry.

Clean surface of the vacuum cleaner

Outer the outer surface of the vacuum cleaner using a dry or a lightly dampened cloth. Then wipe everything so that it is thoroughly dry.

**Warning:**

Do not use steel wool, abrasive cleaning products, solvents, etc. to clean the vacuum cleaner.

Cleaning the mop attachment

Drain out the tank **I2** after each use of the attachment **I1**. Wipe the attachment with a soft cloth slightly soaked in warm water. Wipe with a clean cloth to dry.

Remove the mop cover **I4** and hand wash it in clean water. Let it dry.

**Warning:**

Under no circumstances immerse or wash the attachment **I1** in water or any other liquid.

Storage

When not using the appliance for an extended period, clean it according to the above-mentioned instructions.


Ensure the vacuum cleaner is thoroughly clean and dry.

Store the appliance in a dry, clean and well-ventilated location not exposed to extreme temperatures and out of children's reach.


TROUBLESHOOTING

PROBLEM	SOLUTION
Vacuum cleaner cannot be turned on.	Check whether the battery is not discharged. If so, recharge it. Check whether the rotary brush / filter is not blocked. Clean the rotary brush / filter.
Battery is not charged.	Check whether you use the power adapter correctly. Check whether the power adapter is correctly connected to the vacuum cleaner and power outlet.
Low vacuuming efficiency.	Check the status of filters and clean them. If necessary, change the internal filter for a new one. Check whether the rotary brush is not jammed by hair or animal fur. Remove all dirt from the rotary brush. Check whether the dust container and filters are correctly installed in the vacuum cleaner body.

SPECIFICATIONS**Power adapter**

Input.....100 – 240 V ~, 50/60 Hz, 0.5 A
Output.....40 V , 360 mA
Electric shock protection class.....II

Vacuum cleaner

Power input.....150 W
Electric rotary brush.....10 W
Li-Ion battery.....36 V , Li-Ion / 2150 mAh
Time required for charging to full capacity.....Approximately 6 - 8 hours
Operating time when fully charged (high / low power).....25 min / 60 min
Noise level.....78 dB(A)
Dust container capacity.....1 l
Electrical shock protection class.....III

The declared noise emission level of this appliance is 78 dB(A), which represents level A of acoustic power with respect to a reference acoustic power of 1 pW.

We reserve the right to change text and technical specifications.

**Safety class for electrical shock protection:**

Class II – Electrical shock protection is provided by double or heavy-duty insulation.



The appliance is intended for household use only. The appliance is not intended to be used outdoor.



Before using the appliance, properly read all the instructions in this user's manual.



Product with protection class III: product is designed for separated/safety extra-low voltage. Electrical shock protection is provided by separated/safety extra-low voltage.

INSTRUCTIONS AND INFORMATION REGARDING THE DISPOSAL OF USED PACKAGING MATERIALS

Dispose of used packaging material at a site designated for waste in your municipality.

DISPOSAL OF USED ELECTRICAL AND ELECTRONIC EQUIPMENT

This symbol on products or original documents means that used electric or electronic products must not be added to ordinary municipal waste. For proper disposal, renewal and recycling hand over these appliances to determined collection points. Alternatively, in some European Union states or other European countries you may return your appliances to the local retailer when buying an equivalent new appliance. Correct disposal of this product helps save valuable natural resources and prevents potential negative effects on the environment and human health, which could result from improper waste disposal. Ask your local authorities or collection facility for more details. In accordance with national regulations penalties may be imposed for the incorrect disposal of this type of waste.

For business entities in European Union states

If you want to dispose of electric or electronic appliances, ask your retailer or supplier for the necessary information.

Disposal in other countries outside the European Union.

This symbol is valid in the European Union. If you wish to dispose of this product, request the necessary information about the correct disposal method from the council or from your retailer.



This product meets all the basic requirements of EU directives related to it.

DISPOSAL OF BATTERIES

Prior to disposing of the product or handing it over at a specialised collection facility, it is necessary to ensure that the built-in battery is removed. Before removing the battery, it is necessary to start the vacuum cleaner and wait until it is completely flat. Battery removal will be performed at the authorised service centre.

The battery contains environmentally damaging substances and therefore does not belong in standard household waste. Their correct disposal will be performed by the respective collection facility.