

Vacuum cleaner

User's manual

EN



SENCOR®

SVC 3001 (Orca)

Before first use, please read all instructions contained in this user's manual carefully, even if you are already familiar with using similar products. Only use this product in accordance with the instructions described in the user's manual. Keep the user's manual in a safe place where it can be easily retrieved for future use.

Save the original packaging, including the internal packing material, warranty card and proof of purchase receipt, at least for the duration of the warranty. If you need to ship this product, pack it in the original cardboard box to ensure maximum protection during shipping or transport (e.g. when moving or when you need to send this product for repair).

CONTENTS

IMPORTANT SAFETY NOTICE	2
DESCRIPTION OF VACUUM CLEANER	5
VACUUM CLEANER ASSEMBLY	6
VACUUM CLEANER OPERATION	6
VACUUM CLEANER ACCESSORIES	8
VACUUM CLEANER STORAGE	8
CLEANING AND MAINTENANCE	9
TROUBLESHOOTING	12
TECHNICAL DETAILS	12
INCLUDED CONTENTS	13
DISPOSAL OF USED ELECTRICAL AND ELECTRONIC EQUIPMENT	14
INSTRUCTIONS AND INFORMATION REGARDING THE DISPOSAL OF USED PACKAGING MATERIALS	14

IMPORTANT SAFETY NOTICE

- 1) Carefully unpack the product and take care not to throw away any part of the packaging before you find all the parts of the product.
- 2) This product may not be used by any persons (including children) with mental disabilities, weak strength or by inexperienced persons, unless they have been properly trained or schooled in the safe use of the product, or unless they are properly supervised by a qualified person who is responsible for their safety.
- 3) Children must be supervised to ensure that they do not play with the product.
- 4) Before connecting this product to the socket outlet, make sure the voltage stated on the label of the product corresponds to the voltage in your wall socket.
- 5) Never use accessories, which have not been supplied with this product or which are not designed for this product.
- 6) Do not place the power cord near hot places or sharp objects. Do not place heavy objects on the power cord. Position the cord so that it will not be stepped on or tripped over. Make sure the power cord is not touching a hot surface.
- 7) If the power cord of the product is damaged have it repaired by an authorised service technician to prevent causing a dangerous situation. It is forbidden to use the product if it has a damaged power cord or plug.
- 8) Do not disconnect the power cord from the wall outlet by pulling the cord.
- 9) In no case should you attempt to repair the unit yourself, do not make any amendments to it - danger of electric shock! Entrust all repairs and adjustments to a specialised company/service. Failure to do so will expose you to a danger of voiding the warranty policy.
- 10) Never use the product if you have wet hands or feet.
- 11) Only store and use the product away from flammable or volatile materials and solutions.
- 12) Do not use the product for purposes other than those intended.
- 13) Do not spray the product with water or any other liquid. Do not submerge the product in water or in any other liquid.
- 14) If you are not using your machine, disconnect the power cord from the socket.
- 15) If you will not be using the product, turn it off and disconnect the power cord from the wall outlet. Prior to cleaning, proceed in the same manner.
- 16) Never leave the product switched on without supervision.
- 17) In order to avoid deformation or a fire in the plastic components of the vacuum cleaner, do not expose the vacuum to direct sunlight, do not place it close to heaters, open fires or other sources of heat and do not leave the vacuum cleaner operating for too long, if the air inflow is blocked.
- 18) Do not use the product in an environment with excessive dust.
- 19) Use extra care if the product is used near children. Always keep the product out of the reach of children.
- 20) If the product is being used, do not block the air inflow and outflow openings. Blocked air vents can cause overheating and motor damage.
- 21) Vacuuming the below mentioned objects can damage your product or cause injuries to the operating person:
 - any type of sharp objects such as broken glass or ceramics, needles, pins, etc.
 - burning cigarettes, or smouldering pieces, matches or any other flammable or volatile liquids (e.g. gasoline, paint thinners, etc.)
 - flour, cement, plaster (i.e. dust from holes drilled in walls)
- 22) In order to avoid damaging furniture or injuries to persons, hold the power cord in your hands as it winds up.
- 23) Do not vacuum larger pieces of paper or plastic bags. They may easily clog the pipe or hose. In case the vacuum becomes clogged for any reason, turn it off by removing it from the electric socket and clean the pipe or hose.
- 24) In order to avoid damage to the hose, do not step on it or forcefully bend it. Do not use the vacuum if the hose is bent or damaged in any other way.
- 25) Do not move over the power cord with the vacuum cleaner.
- 26) Never use the vacuum cleaner without the protective motor filter or the outflow filter.
- 27) Do not place the vacuuming hose, inlet nozzle or vacuuming accessories near to your eyes or ears.

Vacuum cleaner

SVC 3001 (Orca)

28) Vacuuming of some types of floors or floor surfaces can create a static electricity charge, which is not dangerous for the user.

The manufacturer is not responsible for damages caused by incorrect use of this product or its accessories. Such damages include food spoilage, injuries, burns, scalding, fire, etc.

Vacuum cleaner

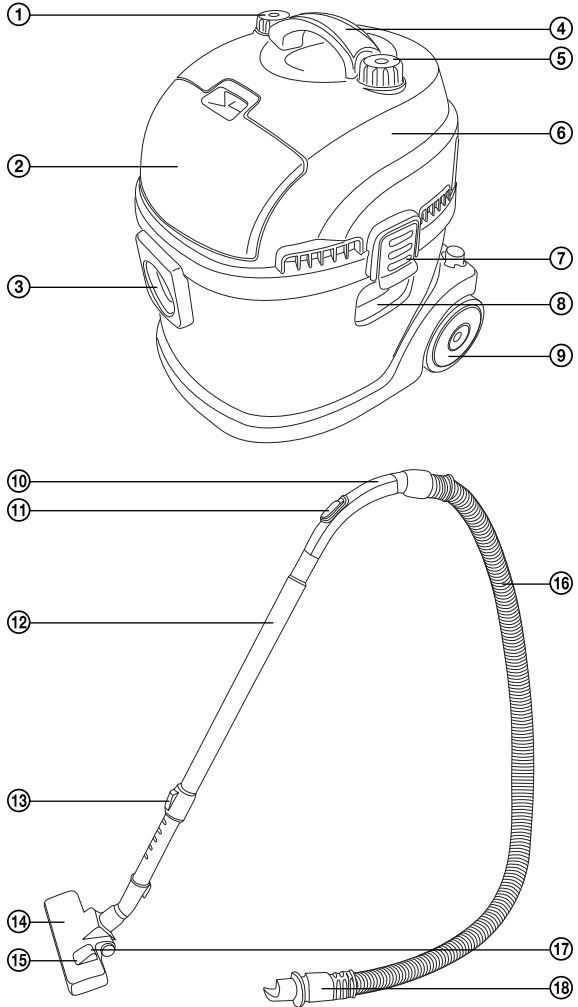
SVC 3001 (Orca)

EN

DESCRIPTION

A

- ① START/STOP + motor power control button
- ② Accessory compartment lid
- ③ Vacuum hose connection hole
- ④ Handle
- ⑤ Cable winding button
- ⑥ Cord
- ⑦ Lid clip
- ⑧ Vacuum cleaner body handle
- ⑨ Rubber wheel
- ⑩ Handle
- ⑪ Sliding knob for air suction
- ⑫ Telescopic tube
- ⑬ Clip for the telescopic tube
- ⑭ Floor inlet nozzle
- ⑮ Flap position for vacuuming hard (smooth) floors
- ⑯ Hose
- ⑰ Flap position for vacuuming carpets
- ⑱ Hose end



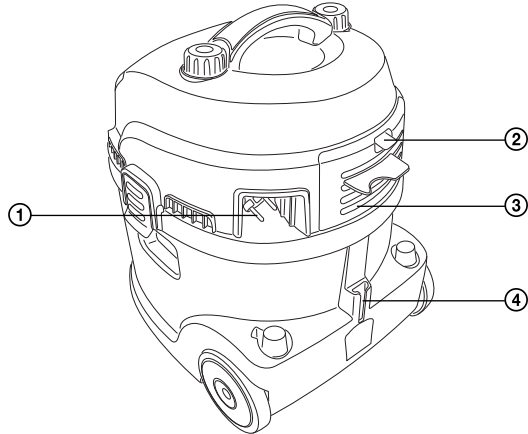
EN-5

Vacuum cleaner

SVC 3001 (Orca)

B

- ① Power cord
- ② Cover clip
- ③ Cover of the outflow filter
- ④ Parking position



ASSEMBLY

Inserting the hose into the air suction hole on the vacuum cleaner.

Insert the hose end into the vacuum cleaner opening and turn to arrest in place. The hose is now secured in correct position.

Attach the holder to the telescopic tube:

Make sure to place the holder with the hose on the wider part of the telescopic tube.

Attach the floor inlet nozzle to the telescopic tube:

Make sure the floor nozzle is attached the narrower part of the telescopic tube.

Adjust the length of the telescopic tube:

Adjust the length of the telescopic tube as follows: Move and hold the button on the tube forward as shown in the by arrows and adjust the length of the tube as required. Release the button and move the tube slightly forward until you hear a „click“. The telescopic tube is now securely fixed in position.

USING YOUR VACUUM CLEANER

Connecting your vacuum cleaner to the electrical power grid

Pull the plug attached to the power cord out from the vacuum cleaner until the desired length of the power cord is out of the product. Insert the plug into the socket.



Caution:

Yellow marking on the power cord warns that the power cord is close to its end. Do not pull the power cord further than the red marking.

Vacuum cleaner

SVC 3001 (Orca)

EN

Vacuuming dust

When vacuuming dust, attach a standard floor nozzle on to the telescopic tube and insert a dust bag into the container. Before inserting the dust bag make sure that the container is entirely dry.

You may set the inlet nozzle according to the floor surface by adjusting the inlet flap:

- If you want to vacuum carpets, close the bristles of the inlet inside the inlet nozzle, by turning the flap accordingly.
- If you want to vacuum hard and smooth surfaces, move the bristles out of the nozzle, by turning the flap accordingly.

Vacuuming water

When vacuuming water attach the special floor nozzle with rubber squeegees (see pic. C) and take the dust bag out of the container. Under no circumstances should you use a carpet nozzle with a metal underside for wet vacuuming - risk of corrosion!

If while vacuuming water, the container becomes fully filled, a safety float will stop the suction and the noise level of the motor will increase dramatically. Further vacuuming is only possible after the container has been emptied.

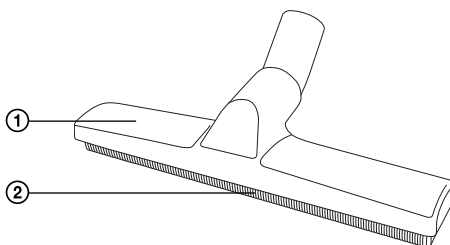


Caution:

- If while vacuuming water the vacuum cleaner tips over, it is necessary to have the vacuum cleaner motor inspected by a service before further use.
- Never use this vacuum cleaner as a full substitution for a pump, i.e. pumping water from tanks, baths, aquariums, etc. The seal on the hose could be damaged by the high pressure.
- After finishing vacuuming of water it is necessary to allow the vacuum cleaner to run for another 30 seconds, so that the remaining water is sucked out of the hose and tube.

C

- ① Water vacuuming nozzle
- ② Rubber squeegee



Turning your vacuum cleaner on and off

To switch your machine on or off, press the START / STOP button on the vacuum cleaner body.

Adjusting the suction strength

The suction strength may be adjusted by turning the dial on the product's body (small range) or by the moveable flap on the hose handle.



Tip

- Use the maximum suction strength when vacuuming carpets or floors with a hard surface. Use the reduced strength when vacuuming upholstery, window curtains, etc.
- If the hose holder becomes blocked when vacuuming, disconnect it from the telescopic tube and also disconnect the hose from the vacuum cleaner body. Then place the holder inside the suction hole on the vacuum cleaner body and vacuum the stuck dirt out.

Vacuum cleaner

SVC 3001 (Orca)

Temporary interruption of the vacuuming process

If you wish to interrupt vacuuming for a while, you can use the parking position at the back part of the vacuum cleaner, onto which the floor nozzle lug slides on.



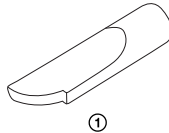
Note:

Do not move the vacuum cleaner from place to place if the hose is in the parked position! It may break off or the lugs for the floor nozzle or telescopic tube may break off.

USING YOUR ACCESSORIES

D

- ① Slot nozzle for vacuuming in hard to reach places (e.g. windows, corners, book shelves, areas between mattresses, upholstery, etc.)
- ② Upholstery nozzle
- ③ Brush nozzle



Ending the vacuuming process

When you finish vacuuming, switch the vacuum cleaner off by pressing the START / STOP button and then disconnect the power cord plug from the socket.

To wind the power back to the vacuum cleaner, press and hold the winding button with one hand. Hold the power cord with your other hand to protect the vacuum cleaner input area from damage.



Tip:

If the winding process stops and part of the power cord is still outside, release the winding button and pull the power cord out again by about 50 cm and press the winding button again and repeat the winding process.

Carrying your vacuum cleaner

If you need to carry the vacuum cleaner, hold it only by the handle.

STORAGE OF VACUUM CLEANER

Before storage you may disassemble your vacuum cleaner into its individual parts or you may store it assembled with the telescopic tube arrested in the „parking“ position (on the rear side of the vacuum cleaner).

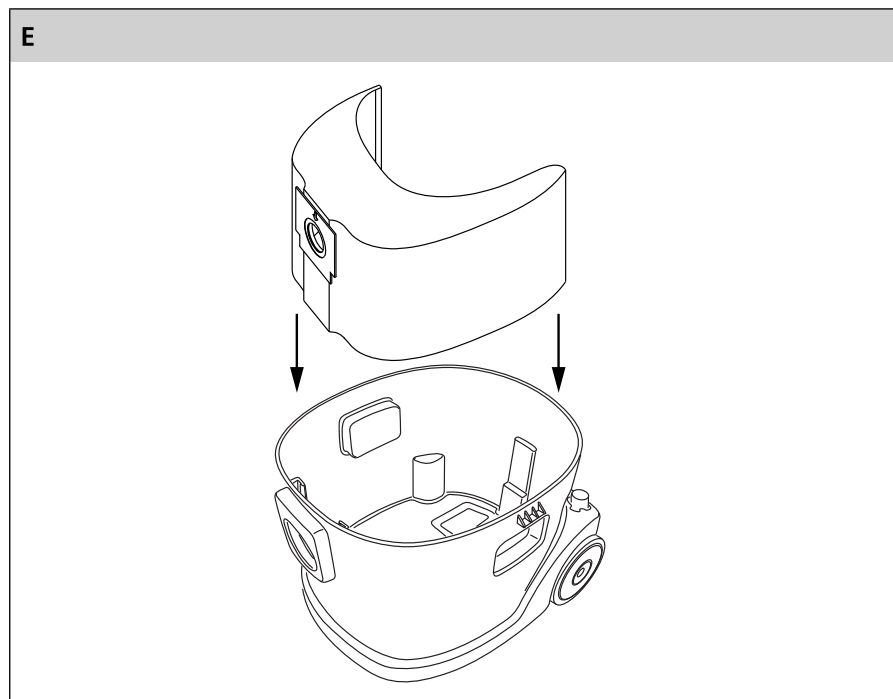
CLEANING AND MAINTENANCE



Caution:

Before cleaning disconnect this product from the power source.

Changing the dust bag / emptying water from the container



- 1) Press both clips on the sides of the lid at the same time to remove the lid from the body of the vacuum cleaner and place it upside down on a soft surface.



Caution:

Do not put down with the lid of the motor cover facing downwards!

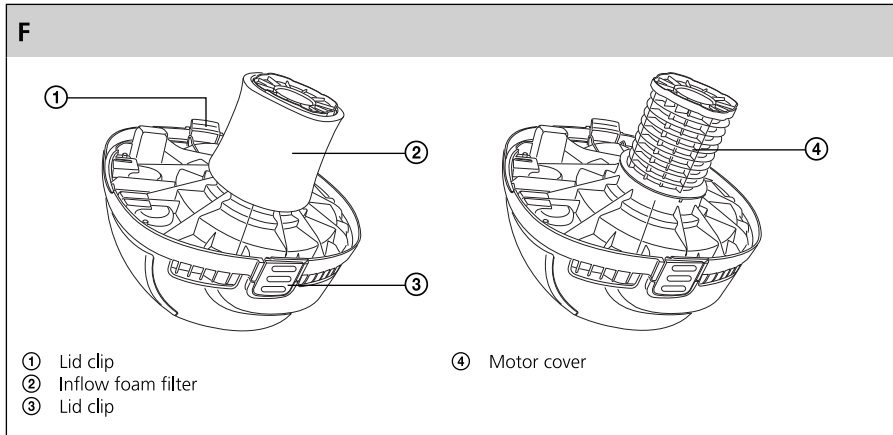
- 2) If you were vacuuming with the dust bag - pull upwards to remove the full dust bag and replace it with a new one.
- 3) If you were vacuuming water (without a dust bag) - empty the water down the drain.
- 4) Put the cover over the container until you hear a click on both sides.



Caution:

If after vacuuming water you decide to vacuum with the dust bag again, it is necessary to first thoroughly dry the container.

Changing and cleaning the foam inflow filter.



- 1) Press both clips on the sides of the lid at the same time to remove the lid from the body of the vacuum cleaner and place it upside down on a soft surface.

**Caution:**

Do not put down with the lid of the motor cover facing downwards!

- 2) Now remove the foam filter from the motor cover and wash it under lukewarm running water. Remember that it is necessary to thoroughly dry the filter before putting it back on the motor cover. In the case of heavy soiling replace it with a new one.
- 3) Put the cover over the container until you hear a click on both sides.

Vacuum cleaner

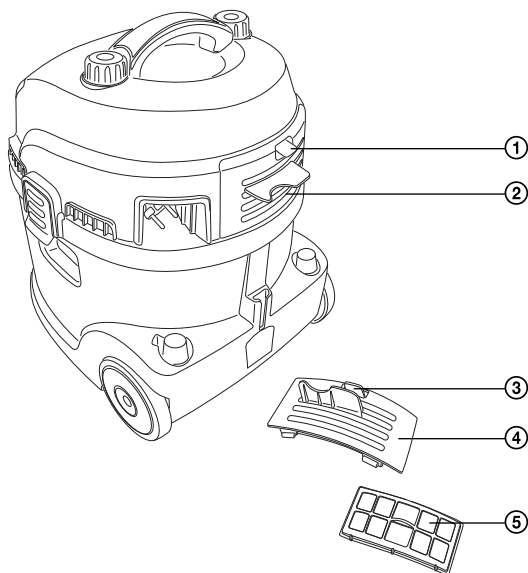
SVC 3001 (Orca)

EN

Changing the outflow filter

G

- ① Cover clip of the outflow filter
- ② Cover of the outflow filter
- ③ Cover clip of the outflow filter
- ④ Cover of the outflow filter
- ⑤ Outflow filter



- 1) First take off the cover of the outflow filter by pressing the cover clip downwards and tipping it out of the body of the vacuum cleaner.
- 2) Then remove the outflow filter and replace with a new one.
- 3) Close the cover again in its place until the clip clicks in.



Caution:

Make sure you put the inflow filter in the vacuum cleaner with the plastic grill facing outwards!

Cleaning your vacuum cleaner.

To clean the outside parts of the product use a fine cloth dipped in lukewarm water. Do not use aggressive cleaning agents, paint thinners or solvents. Using these solutions could damage the surface of the product.

Vacuum cleaner

SVC 3001 (Orca)

TROUBLESHOOTING

Before you decide to contact an authorized service centre, please read these following tips in the troubleshooting chart:

Problem	Possible cause	Recommended action
The engine will not start	<ul style="list-style-type: none"> - The power cord is not firmly inserted in the socket - The wall power outlet is damaged - The vacuum cleaner is not switched on 	<ul style="list-style-type: none"> - Insert the plug firmly into the power outlet - Inspect the power outlet - Turn the product on.
The suction output is insufficient	<ul style="list-style-type: none"> - The product is clogged - The dust filter needs cleaning. - The filter is clogged 	<ul style="list-style-type: none"> - Remove the blockage or foreign object - Clean the dust filter - Clean the filter
The power cord is not wound in completely	The power cord may have slipped down from the winding pulley during winding.	Hold the power cord during the winding. Apply slight tension (by pulling the power cord back) to the power cord during the winding process
The power cord cannot be pulled out	The power cord is wound up incorrectly	Press the winding button and try to rewind the power cord again
The speed control is not working.	The product is broken down	Have the product repaired by technician. (only by a qualified technician).
The power cord starts to wind in when you do not required.	The winding mechanism has broken down	Have the product repaired by technician. (only by a qualified technician).
The dust container cannot be closed	The dust filter is inserted incorrectly or in an incorrect position	Reinstall and secure the filter in position and try again

TECHNICAL SPECIFICATIONS

Nominal voltage.....	230 V AC
Nominal frequency.....	50 Hz
Suction power	250 W
Rated power input.....	1200 W
Maximum power input	1400 W
Safety class (with regard to electric shock protection)	II
Noise level	< 77 dB(A)
Length of power cord	5 m
Operational range.....	7.5 m
Dust bag capacity	7.5 l
Water vacuuming capacity	16 l
Total container volume.....	30 l
Dimensions (width x depth x height)	374 x 425 x 490 mm
Weight	7,9 kg

The declared noise emission level for this appliance is < 77 dB(A), which represents level A of the acoustic power relative to the reference acoustic power of 1 pW.

Vacuum cleaner

SVC 3001 (Orca)

EN

SUPPLIED CONTENTS

1x vacuum cleaner
1x floor nozzle for vacuuming dust
1x floor nozzle for vacuuming water
1x telescopic tube
1x hose
1x narrow slot nozzle
1x cushion nozzle
1x brush nozzle
1x textile dust bag
1x foam inflow filter
1x outflow filter
1x user's manual
1x warranty card

Amendments to text and technical parameters are reserved.

INSTRUCTIONS AND INFORMATION REGARDING THE DISPOSAL OF USED PACKAGING MATERIALS

Dispose of packaging material at a public waste disposal site.

DISPOSAL OF USED ELECTRICAL AND ELECTRONIC APPLIANCES



The meaning of the symbol on the product, its accessory or packaging indicates that this product shall not be treated as household waste. Please, dispose of this product at your applicable collection point for the recycling of electrical & electronic equipment waste. Alternatively in some states of the European Union or other European states you may return your products to your local retailer when buying an equivalent new product. The correct disposal of this product will help save valuable natural resources and help in preventing the potential negative impact on the environment and human health, which could be caused as a result of improper liquidation of waste. Please ask your local authorities or the nearest waste collection centre for further details. The improper disposal of this type of waste may fall subject to national regulations for fines.

For business entities in the European Union

If you wish to dispose of an electrical or electronic device, request the necessary information from your seller or supplier.

Disposal in other countries outside the European Union

If you wish to dispose of this product, request the necessary information about the correct disposal method from local government departments or from your seller.



This product meets all the basic EU regulation requirements that relate to it.

Changes to the text, design and technical specifications may occur without prior notice and we reserve the right to make these changes.