

SVEN®
YOU WANT – WE CAN

2.1 Multimedia Speaker System

OPERATION MANUAL



MS-2050
MS-2051

www.sven.fi

Congratulations on your purchase of the Sven speaker system!

COPYRIGHT

© 2016. SVEN PTE. LTD. Version 1.0 (V 1.0).

This Manual and information contained in it are copyrighted. All rights reserved.

TRADEMARKS

All trademarks are the property of their legal holders.

NOTICE OF RESPONSIBILITY RESTRICTION

Despite the exerted efforts to make this Manual more exact, some discrepancies may occur. The information in this Manual is given on “as is” terms. The author and the publisher do not bear any liability to a person or an organization for loss or damage which has arisen from the information contained in this Manual.

CONTENTS

1. BUYER RECOMMENDATIONS	2
2. PACKAGE CONTENTS.....	3
3. SAFETY PRECAUTIONS	3
4. TECHNICAL DESCRIPTION	3
5. PREPARATION AND OPERATION	6
6. OPERATION MODES	8
7. TROUBLESHOOTING.....	10
8. TECHNICAL SPECIFICATIONS	10

1. BUYER RECOMMENDATIONS

- Unpack the device carefully. Make sure there are no accessories left in the box. Check up the device for damage; if the product was damaged during transportation, address the delivery agent, if the product carried out the delivery; if the product functions incorrectly, address the dealer at once.
- Check up the package contents and availability of the warranty card. Make sure the warranty card has a shop stamp, a legible signature or the seller’s stamp and purchase date, and the goods number corresponds to that in the warranty card.
- Do not switch on the speaker system immediately after you bring it into a room from environment with negative temperature! After unpacking, the speaker system should be kept in conditions of room temperature for at least 4 hours.
- Before installing and using the speaker system, read this Manual carefully and keep it for future reference.
- Shipping and transportation equipment is permitted only in the original container.
- Does not require special conditions for realization.
- Dispose of in accordance with regulations for the disposal of household and computer equipment.

Technical support is on www.sven.fi.

MS-2050

MS-2051

Operation Manual

2. PACKAGE CONTENTS

- Subwoofer – 1 pc
- Satellites – 2 pcs
- Remote control (RC) – 1 pc
- AAA type batteries – 2 pcs
- Audio cables – 2 pcs
- Signal cable – 1 pc
- Antenna wire – 1 pc
- Satellite wall-mounting set – 2 pcs
- Operation manual – 1 pc
- Warranty card – 1 pc

3. SAFETY PRECAUTIONS



Caution! High voltage inside! To avoid the risk of electric shock do not open or touch elements inside.

- To avoid electric shock, do not open the MSS and do not perform repairs by yourself. Service and repairs should be performed only by qualified specialists in an authorized service center. The list of authorized service centers is available on www.sven.fi.
- Do not allow the circuit of wires (including the grounded ones) between the speakers, on the power amplifier or the ground, for it causes damage to the power amplifier output stage.
- Do not touch the MSS power cord plug pins for 2 seconds after unplugging it from the mains.
- Do not put foreign objects inside the holes of the MSS.
- Protect the MSS from high humidity, water and dust.
- Protect the MSS from heating: do not place it closer than 1 m from a heat source. Do not expose it to direct sunlight.
- Do not place any open flame sources on or close to MSS.
- Do not place the MSS in poorly ventilated areas. Leave an air gap of 10 cm or more. When operating the MSS, do not put any devices on it, do not cover it with cloth or other objects preventing it from cooling.
- Do not use any chemical agents for cleaning. Clean it with dry soft cloth only.

4. TECHNICAL DESCRIPTION

MS-2050/MS-2051 2.1 Multimedia Speaker System (MSS) are designed to play music and sound games, movies, etc. The MSS has a built-in power amplifier and audio cables due to which it can be connected to virtually any audio source (CD/DVD-player, TV, PC, etc.) without using an additional power amplifier. The MSS has a built-in FM radio, Bluetooth module, audio files player and clock. Remote control is included.

Features

- Speaker system is compatible with PCs, DVD/Media-players, mobile devices and other sound sources
- Built-in Bluetooth module
- Built-in audio files player from external storage devices

2.1 Multimedia Speaker System

- Built-in FM radio and built-in clock
- Alphanumeric LED display
- USB flash port and SD card slot
- Two switchable inputs
- Remote control
- MUTE, SLEEP and ST-BY modes
- Wall mountable satellites
- Wooden (MDF) cabinets of the subwoofer and satellites

Subwoofer control panels

- ① LED display
- ② MODE: shift button of timbre control modes
- ③ ►/AUTO: Play/Pause (pressed short in the Player mode); Start/Stop auto scan (pressed short in the Radio mode)
- ④ INPUT/VOLUME -/+ : the device switching on (the knob rotation to any side from OFF mode); the device switching off (the knob pressed long); volume level control (the knob rotation to the right/left); switching of inputs and PC/AUX/FM/ MP3/ Bluetooth modes (the knob pressed short)
- ⑤ LED backlight
- ⑥ USB: port for a USB flash device* containing MP3 and WAV audio files
- ⑦ ►►/CH+ : next track (pressed short in the Player mode); next station** (pressed short in the Radio mode)
- ⑧ ◀◀/CH- : previous track (pressed short in the Player mode); previous station*** (pressed short in the Radio mode)
- ⑨ SD/MMC CARD: slot for SD/MMC cards* containing MP3, WAV audio files
- ⑩ ON/OFF: power switch
- ⑪ Power cord
- ⑫ RADIO ANT: radio antenna input jack
- ⑬ PC AUDIO INPUT: jack to connect PC
- ⑭ AUX AUDIO INPUT: jack to connect linear input
- ⑮ AUDIO OUTPUT: jack to connect satellites

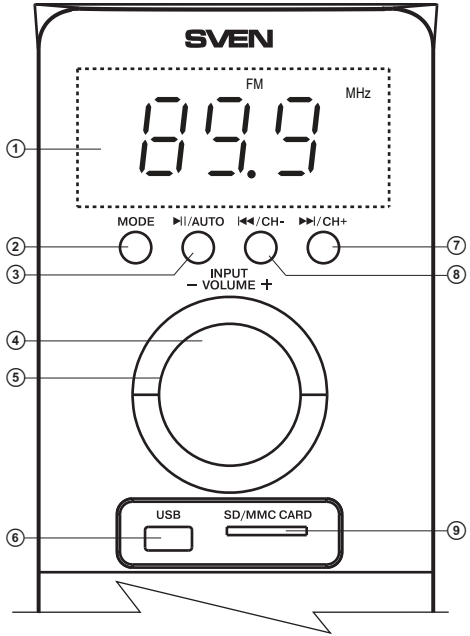


Fig. 1. Subwoofer control panel

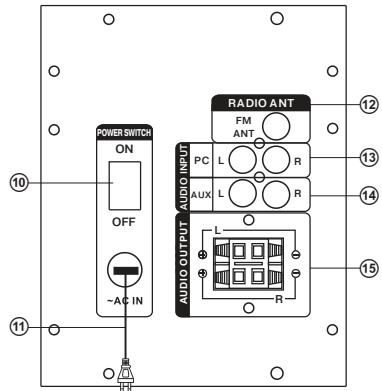


Fig. 2. Subwoofer rear panel

MS-2050 MS-2051

Operation Manual

Remote control

- ① INPUT: the MSS mode selection
- ② TREBLE-/+: treble level up/down
- ③ TUNE+/-: manual band scanning (in the Radio mode)
- ④ CH- /◀◀: previous track (pressed short in the Player mode)
previous station** (pressed short in the Radio mode)
- ⑤ BASS-/+: bass level up/down
- ⑥ SW+/-: subwoofer volume level control
- ⑦ 0-9: numeric pad
- ⑧ REPEAT: player operation mode selection
- ⑨ RESET: return to default settings
- ⑩ CLOCK: current time display
- ⑪ VOL+/-: volume level control
- ⑫ SET: current time setting
- ⑬ CH+ /▶▶: next track (pressed short in the Player mode)
next station** (pressed short in the Radio mode)
- ⑭ ▶|/AUTO: Play/Pause (pressed short in the Player mode);
auto scan start/stop (pressed short in the Radio mode);
- ⑮ MUTE: sound on/off button
- ⑯ SLEEP: Sleep mode selection
- ⑰ ⏻ : On/Off button
- ⑱ SAVE: memorize selected frequency (in the Radio mode)

Battery Installation

- Open the battery compartment on the back of the remote control.
- Insert the included AAA batteries.
- Close the battery compartment.

Notes:

- **Use the RC at an angle no more than 30° at a distance of no more than 7 meters.**
- **If the remote control does not operate, check the batteries or replace the discharged batteries with new ones.**
- **Remove the batteries from the RC if you don't intend to use it for a long time (more than one week).**

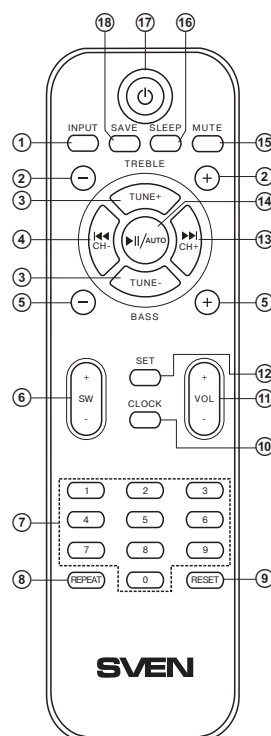


Fig. 3. Remote control

* The storage device must be formatted as FAT, FAT32. Memory cards SDHC class 10 or less can be used. Connection of external hard disks other than USB flash drive is not recommended, otherwise it can cause the MSS damage.

** The frequencies are switched if stations have been preset in the memory.

5. PREPARATION AND OPERATION

Speaker placement

- Place the speakers symmetrically to the listener at least one meter away. The subwoofer emits non-directional sound, therefore it can be located in any place of the room where it sounds the best.
- Place MSS far away from monitors and TV sets, as insignificant image distortion in these super-sensitive devices is possible.

Installation and operation

MS-2050/MS-2051 speaker systems can be connected to virtually any audio devices: DVD/CD players, PCs, laptops, etc. (see connection diagram in Fig. 4).

- Before making any connections, make sure the MSS is off and unplugged. Then connect speakers to the subwoofer AUDIO OUTPUT L/R terminals with the help of included audio cables. Observing the polarity connect the right speaker to the subwoofer AUDIO OUTPUT R with the audio cable and the left speaker – to the AUDIO OUTPUT L. Pay attention that the plus (red) cable wires of speakers must be connected to the subwoofer plus terminals (+ → +) and the minus (black) cable wires of speakers – to the subwoofer minus terminals (– → –) (see connection diagram in Fig. 4).

Note. Check the reliable fixation of wires in the terminals, polarity of connection and absence of contact of the bared wires with each other and the metal parts of the hardware.

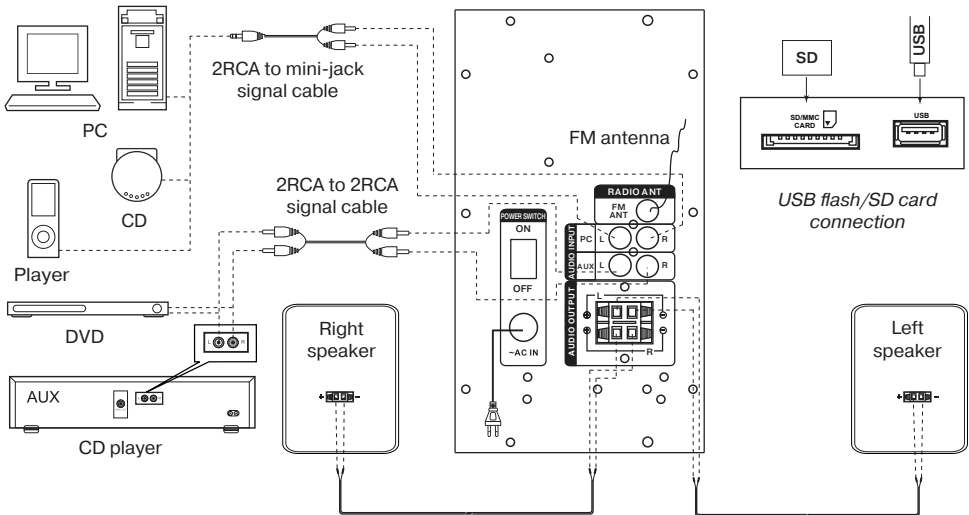


Fig. 4. Connection diagram

MS-2050 MS-2051

Operation Manual

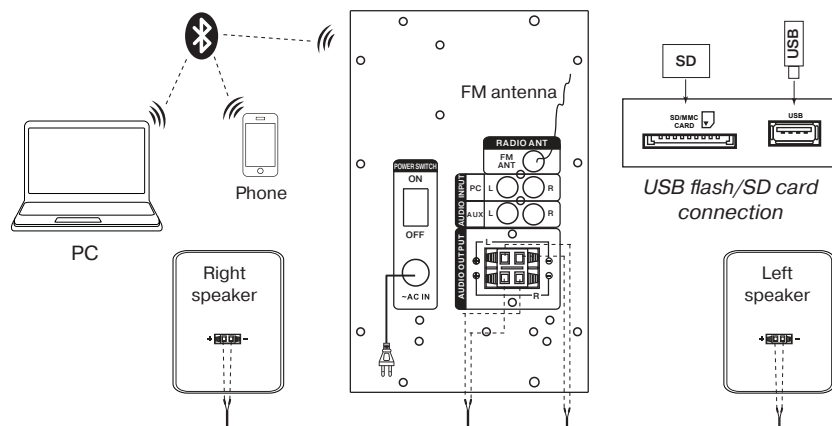


Fig. 5. Bluetooth module connection diagram

- To connect the MSS to a PC, MP3/CD player, use 2RCA to mini-jack signal cable (included). Connect the RCA jacks of the signal cable to the L and R jacks of the PC AUDIO INPUT ⑬, and the mini-jack (Ø 3.5 mm) of the signal cable – to the LINE OUT port of your PC sound card or to the audio output (OUTPUT) of your MP3/CD player, as shown in Fig. 4.
- To connect the MSS to a TV set or DVD/CD players, use 2RCA to 2RCA signal cable (not included). Connect at first the RCA jacks of the signal cable to the L and R jacks of AUX AUDIO INPUT ⑭ and then connect RCA jacks to your TV set or DVD/CD player audio output jacks, as shown in Fig. 4.
- Connect the subwoofer to the mains outlet with the power cord ⑩.
- Turn on the MSS power supply using ON/OFF switch (⑩, ON) on the subwoofer rear panel.
- Turn on the MSS using VOLUME knob ④ on the front panel or button ⑰ on the remote control, LED backlight ⑤ will light.
- Select a desired signal source pressing short INPUT button ④ on the control panel or pressing INPUT button ① on the remote control.
- Adjust the master volume as desired with VOLUME knob ④ on the control panel or with the VOL+/- buttons ⑩ on the remote control.
- Adjust the bass and timbre level using BASS+/- ⑤ and TREBLE+/- ② buttons on the remote control. The timbre level of the system can be also adjusted using knob ④ on the control panel preselecting this option with MODE button ②.
- Use SW+/- buttons ⑥ on the remote control to adjust the subwoofer volume level. The volume level of the subwoofer can be also adjusted using knob ④ on the control panel preselecting this option with MODE button ②.
- In order to have the high-fidelity reception direct the antenna to a required direction when listening to the radio, first connecting the antenna to RADIO ANT jack ⑫ (see Fig. 4).
- When the MSS operation is over, mind to switch it off using ON/OFF switch (⑩, OFF position) and unplug the power cord ⑩ from the socket.

6. OPERATION MODES

Player Mode

- The system will enter the Player mode automatically when a carrier (USB flash or SD/MMC card)* is connected to corresponding ports ⑥ or ⑨; or press INPUT button ④ on the front panel of the subwoofer or INPUT button ① on the remote control. The LED display ① will show the selected mode, then the number of the tracks found and a sequence number of the track played and then the playback time elapsed. The playback will start automatically.
- To select a track, you can directly enter its number on the remote control using the numeric pad buttons ⑦ or select it using buttons ⑦ and ⑧ on the front panel of the subwoofer. The display ① will show the track number for a short time and then the playback time elapsed.
- You can select the playback mode using REPEAT button ③ on the remote control (ONE – the playing track replay; RND – playback random tracks; ALL – playback all tracks available).

* The operation may be incorrect if a SD card of 512 Mb capacity or lower is used. If a USB flash device of 8 Gb capacity or more is used, command processing time may be extended.

Bluetooth mode

- In order to transmit signal in this mode it is necessary by first to connect the device with a signal source (see Fig. 2). For this purpose select the Bluetooth mode using INPUT button ④ on the front panel of the subwoofer or INPUT button ① on the remote control. After 2-3 seconds the speaker system will enter the search mode, BLU mode is shown on the display ①.
- It is necessary to select the search mode of devices with Bluetooth on a signal source (telephone, notebook, smartphone, etc.). “MS-2050/MS-2051” message will be displayed on the screen which it should be connected with*.
- The BLU indicator lights continuously when connection is successful. If there is no any connection, the lighting of the BLU indicator is intermittent. In this case the system should be switch over to the search mode once again (to turn off and turn on anew)**.
- It is possible to control the player of a signal source from the remote control or using the button on the front panel of the subwoofer when connecting to a signal source.

* You might have to enter “0000” code to connect some models of devices via Bluetooth.

** If an item has been already registered in the device list of a source, then the second search mode activation is not obligatory. Choose only the item name and the “connect” command on the source.

Tuner Mode

- Use INPUT button ④ on the front panel of the subwoofer or INPUT button ① on the remote control to enter the Tuner mode. The display ① will backlight the FM inscription and the current adjustment frequency.
- Press short AUTO button ④ on the front panel of the subwoofer or AUTO button ⑭ on the remote control short to auto scan and memorize the found stations. The second pressing of this button before the scanning is over will stop the auto scanning process. The display ① shows the frequency being scanned, when a radio station is being memorized, the display shows its assigned sequence number for a short moment.

Operation Manual

- For manual scanning, use buttons TUNE-/+ ③ on the remote control (up/down the frequency range). To save a selected frequency, press SAVE button ⑫ on the remote control, then using buttons ⑦ and ⑧ on the front panel of the subwoofer or buttons ④ and ⑬ on the remote control select a cell number to save and press the SAVE button once again. When saving, the display ① will show the message "Good".
- If preset radio stations are available in the memory, you can switch from one to another by short pressing buttons ⑦ and ⑧ on the front panel of the subwoofer or buttons ④ and ⑬ on the remote control. You can also enter the frequency or the number of the preset station using numeric pad buttons ⑦ on the remote control. The display ① will show the station number for a short moment and then its frequency. The radio will tune to the set frequency within 2-3 seconds.

AUX/PC Mode

- Press INPUT button ④ on the front panel of the subwoofer or INPUT button ① on the remote control to switch to the AUX/PC mode. The display ① will show AUX or PC inscription.

Clock Mode

- When the MSS is in the ST-BY mode, the display ① shows the current time. When the system is in another mode, use the CLOCK button ⑩ on the remote control to see the time. The current time will be displayed for 3-5 seconds.
- To set the current time, enter the ST-BY mode by pressing long INPUT button ④ on the front panel of the subwoofer or button ⑰ on the remote control. To enter the time setting mode, press SET button ⑫ on the remote control (the corresponding position will start blinking on the display ①). Set the required value of hours and minutes directly from the remote control numeric pad or using buttons ⑦, ⑧ on the front panel of the subwoofer or ④ and ⑬ on the remote control. To switch over between setting hours/minutes and to exit the setting mode, press SET button ⑫ on the remote control.

ST-BY Mode

- To enter/exit this mode, press and hold down INPUT button ④ on the front panel of the subwoofer or button ⑰ on the remote control. The current time is shown on the display ① when entering this mode.

SLEEP Mode

- The SLEEP mode enables to switch over the device in the ST-BY mode after a lapse of time chosen by a user. Press button ⑮ on the remote control to enter the SLEEP mode. To leave the SLEEP mode, press button ⑮ on the remote control once again, while there is "0" character on the display.

MUTE Mode

- To enter the MUTE mode, press button ⑯ on the remote control. To exit the MUTE mode, press this button ⑯ once again.

Note. Due to the constant development of the software, the actual MSS operation may differ from described in this Manual. The most recent version of the Manual is available on www.sven.fi.

7. TROUBLESHOOTING

Problem	Cause	Solution
The MSS does not turn on.	The MSS isn't connected to a mains outlet.	Check the connection.
	The power switch is off.	Turn on the switch.
No sound or the sound is too quiet.	Volume level is set at minimum value.	Adjust the volume control knob.
	Improperly connected audio source.	Connect the audio sources correctly.
Distortion of sound.	Large amplitude of the input signal.	Turn down the source volume and the MSS volume.
The remote control is not working.	The batteries are discharged.	Replace the batteries with new ones.

If none of the above methods can solve the problem, please seek professional advice at your nearest service center. Never attempt to repair the product yourself.

8. TECHNICAL SPECIFICATIONS

Parameter, measurement unit	Value
Output power (RMS), W: subwoofer satellites	55 (30 + 2 × 12.5) 30 2 × 12.5
Frequency response, Hz: subwoofer satellites	45 – 150 150 – 20,000
Speakers diameter, mm: subwoofer satellites	Ø 134 Ø 37 + Ø 80
Power supply, V/Hz	~230/50
Radius of Bluetooth operation, m	up to 10
Dimensions, mm: subwoofer satellites (one speaker)	165 × 325 × 282 104 × 180 × 92
Weight, kg	6.2

Notes:

- **Technical specifications given in this table are supplemental information and cannot give occasion to claims.**
- **Technical specifications and package contents are subject to change without notice due to the improvement of SVEN production.**

2.1 Multimedia Speaker System

SVEN®
YOU WANT – WE CAN



Models: **MS-2050, MS-2051**

Импортер в России: ООО «РЕГАРД», 109052, РФ, г. Москва, ул. Нижегородская, д. 86, корп. Б.
Уполномоченная организация в России: ООО «РТ-Ф», 105082, г. Москва, ул. Фридриха Энгельса, д. 75, стр. 5.
Условия гарантийного обслуживания смотрите в гарантийном талоне или на сайте www.sven.fi.
Гарантийный срок: 12 мес. Срок службы: 5 лет.
Производитель: «СВЕН ПТЕ. Лимитед», 176 Джу Чиаг Роуд, № 02-02, Сингапур, 427447.
Произведено под контролем «Свен Скандинавия Лимитед», 48310, Финляндия, Котка, Котолахдентие, 15.
Сделано в Китае.

Manufacturer: SVEN PTE. LTD, 176 Joo Chiat Road, № 02-02, Singapore, 427447. Produced under the control of Oy Sven Scandinavia Ltd, 15, Kotoлахдентие, Kotka, Finland, 48310. Made in China.

® Registered Trademark of Oy SVEN Scandinavia Ltd. Finland.



MS-2050
MS-2051